

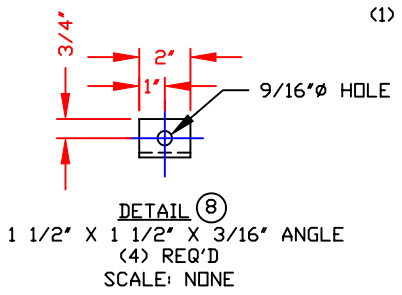
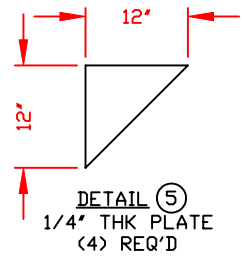
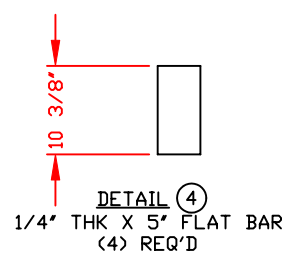
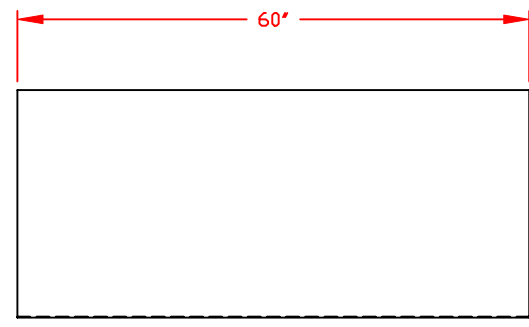
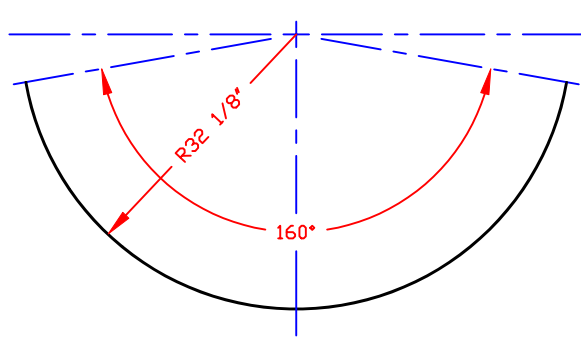
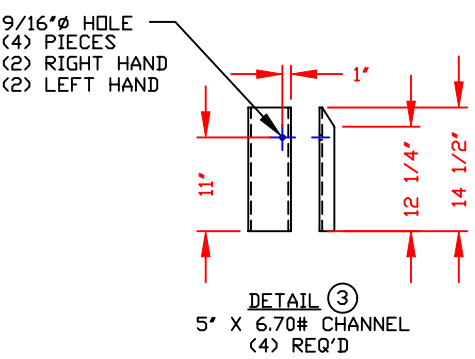
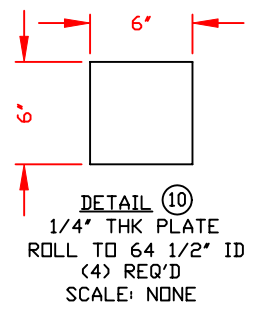
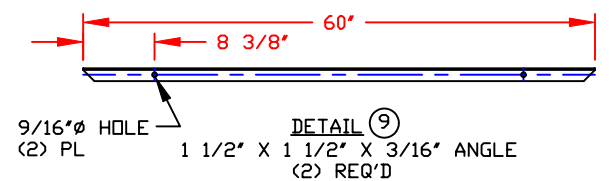
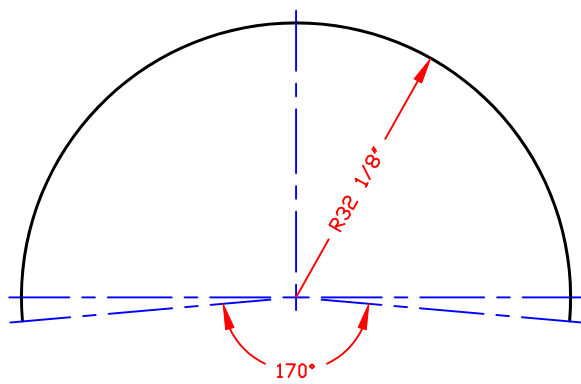
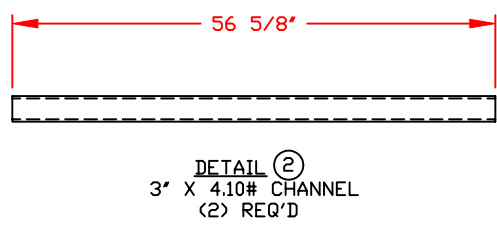
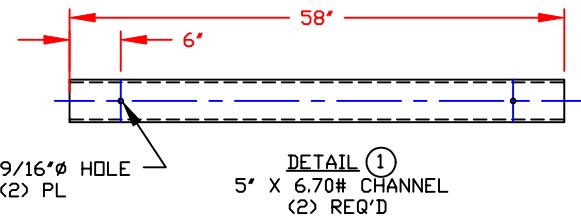
**NOTES**

1. THIS IS A COMPUTER GENERATED DWG. DO NOT REVISE BY HAND.

CONFIDENTIAL PROPERTY OF  
POLY PROCESSING COMPANY  
NOT FOR REPRINT OR USE  
WITHOUT PERMISSION

DWG TITLE		1000 GALLON HORIZONTAL TANK SKID		
SCALE:	3/4"=12'		DR:	M WILKERSON
DATE:	5/7/01		CK:	J. BRANTLEY
		SHEET	COMPUTER FILE	REV
		1 OF 2	M3459	-

Central Region  
P.O. Box 4150 71211  
2201 Old Sterlington Rd.  
Monroe, LA 71203  
C310 343-7565  
FAX C310 343-0795



NOTES  
1. THIS IS A COMPUTER GENERATED DWG. DO NOT REVISE BY HAND.

CONFIDENTIAL PROPERTY OF  
POLY PROCESSING COMPANY  
NOT FOR REPRINT OR USE  
WITHOUT PERMISSION

DWG TITLE		1000 GALLON HORIZONTAL TANK SKID		
SCALE:	3/4"=12'		Central Region P.O. Box 4150 (71213) 2201 Old Sterlington Rd. Monroe, LA 70203 C310 345-7565 FAX C310 345-0795	DR: M WILKERSON
DATE:	5/7/01		CK: J. BRANTLEY	
SHEET		COMPUTER FILE	REV	
2 OF 2		M3459	-	