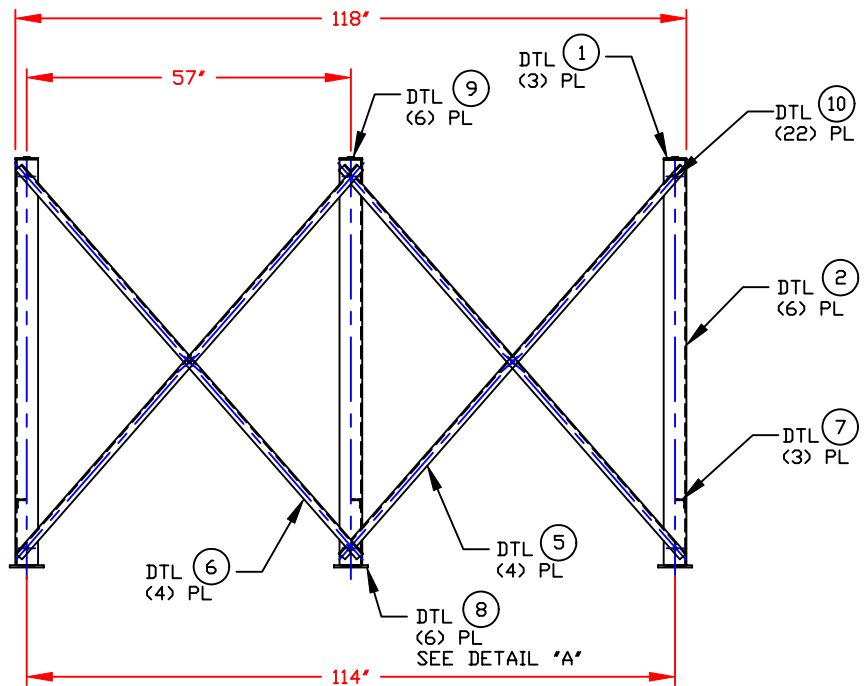
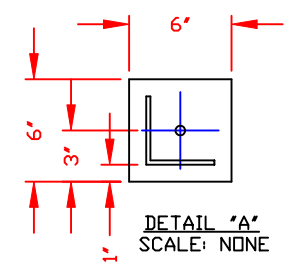
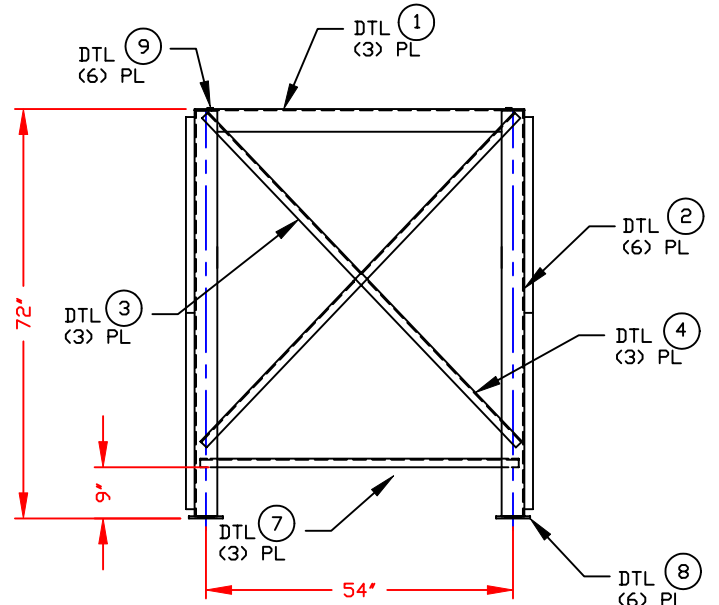


PLAN VIEW



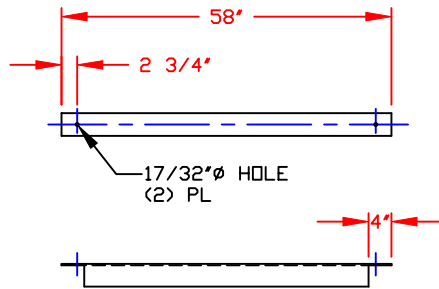
ELEVATION



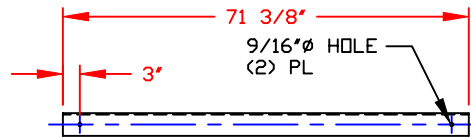
END VIEW

NOTES  
 1. THIS IS A COMPUTER GENERATED DWG. DO NOT REVISE BY HAND.

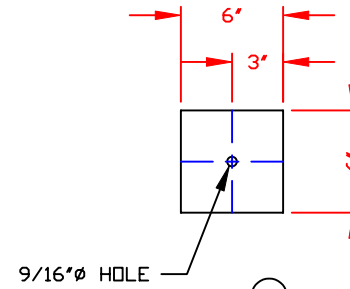
DWG TITLE		6 FT STAND FOR 1950 GALLON HORIZONTAL TANK SKID		
SCALE:	1/2"=12"		Central Region P.O. Box 4150 71211 2201 Old Sterlington Rd. Monroe, LA 71203 C180 345-7565 FAX C210 345-0795	
DATE:	3/14/02		DR:	M. WILKERSON
			CK:	J. BRANTLEY
		SHEET	COMPUTER FILE	REV
		1 OF 2	M3486	-



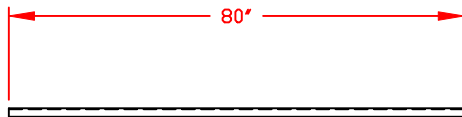
DETAIL ①  
4' X 4' X 1/4' ANGLE  
(3) REQ'D



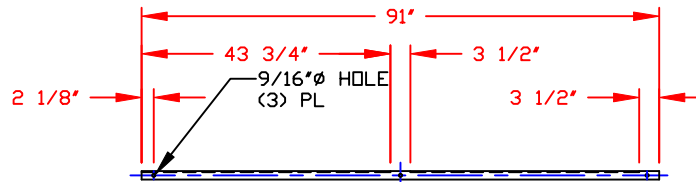
DETAIL ②  
4' X 4' X 1/4' ANGLE  
(6) REQ'D



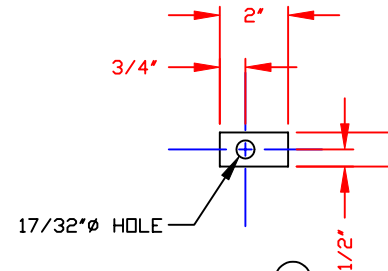
DETAIL ⑧  
3/8" PLATE  
(6) REQ'D  
SCALE: NONE



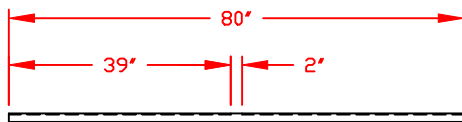
DETAIL ③  
1 1/2' X 1 1/2' X 3/16' ANGLE  
(3) REQ'D



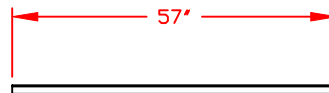
DETAIL ⑥  
1 1/2' X 1 1/2' X 3/16' ANGLE  
(4) REQ'D



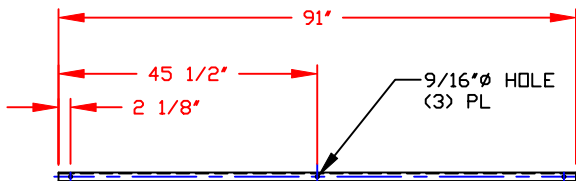
DETAIL ⑨  
3/16" PLATE  
(6) REQ'D  
SCALE: NONE



DETAIL ④  
1 1/2' X 1 1/2' X 3/16' ANGLE  
(3) REQ'D



DETAIL ⑦  
1 1/2' X 1 1/2' X 3/16' ANGLE  
(3) REQ'D



DETAIL ⑤  
1 1/2' X 1 1/2' X 3/16' ANGLE  
(4) REQ'D

1/2-13 X 2" LG ALL TH'D BOLT - ZINC COATED  
W/(2) FLAT WASHERS  
W/(1) LOCK WASHER  
W/(1) 1/2-13 NUT

DETAIL ⑩  
(22) REQ'D

NOTES  
1. THIS IS A COMPUTER GENERATED DWG. DO NOT REVISE BY HAND.

DWG TITLE		6 FT STAND FOR 1950 GALLON HORIZONTAL TANK SKID		
SCALE:	1/2"=12"		Central Region P.O. Box 4150 71211 2201 Old Sterlington Rd. Monroe, LA 71203 CALL 345-7565 FAX 337-345-0795	DR: M. WILKERSON
DATE:	3/14/02		CK: J. BRANTLEY	
		SHEET	COMPUTER FILE	REV
		2 OF 2	M3486	-