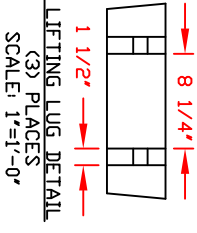
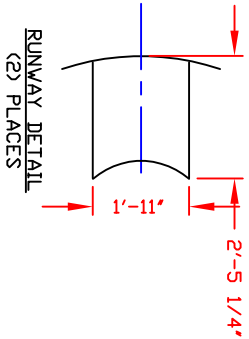
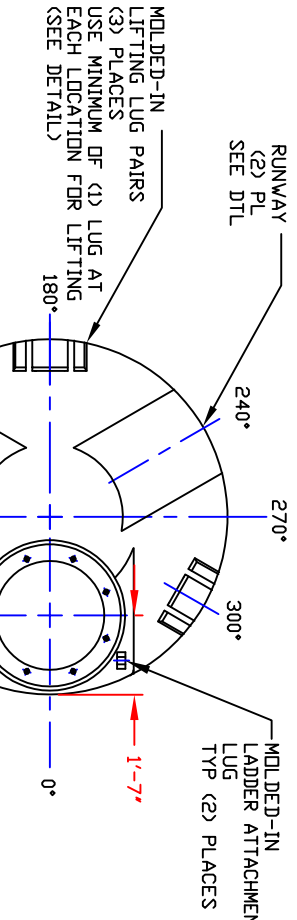
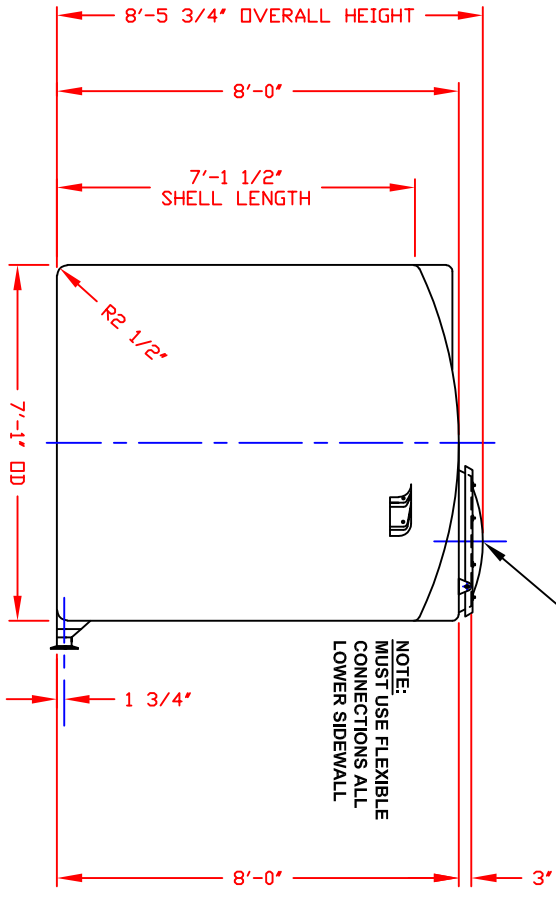
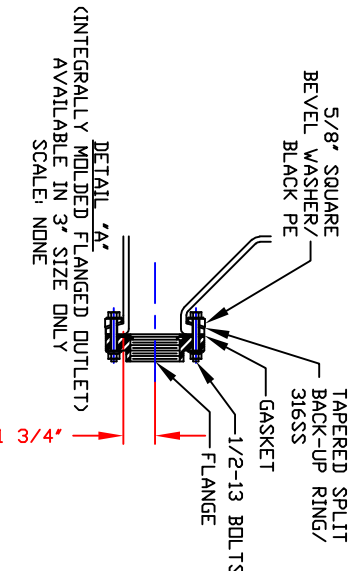


NON-CONTROLLED COPY
 INFORMATION SUBJECT TO CHANGE WITHOUT NOTICE
 VERIFY REV LEVEL OF PAPER COPY WITH REV LEVEL ON PPC WEB SITE



STANDARD COVER
 24"/(8) BOLT MANWAY COVER/PE (SHOWN)
 STOCK NO. 3218 OR
 24"/STRAPPED MANWAY COVER/PE
 STOCK NO. 3217
 (OPTIONAL 24" COVERS AVAILABLE)

NOZZLE SCHEDULE & ACCESSORIES		DEG	ELEV
SERVICE	MK STOCK NO/ SIZE	FITTING	



NOTES
 1. THIS IS A COMPUTER GENERATED DWG. DO NOT REVISE BY HAND.
 2. DIMENSIONS WILL VARY ±3% DUE TO VARIATIONS IN MULTIPLE MOLDS & CONDITIONS PREVALENT DURING MANUFACTURE & USAGE.
 3. MOLDED IN GALLONAGE MARKERS @ APPROX 60" IN 200 GAL INCREMENTS UP TO 1800 GAL.

CALCULATED CAPACITIES/ VOL UME IN U.S. GALLONS	DESIGN CAP DOME VOL	TOTAL VOL
2035	142	2177

CONFIDENTIAL PROPERTY OF
 POLY PROCESSING COMPANY
 NOT FOR REPRINT OR USE
 WITHOUT PERMISSION

2050 GALLON IMF D TANK

DWG TITLE			DR: B. HARPER	
SCALE: 3/8"=1'-0"			DATE: 09/19/19	
			Central Region P.O. Box 4588 Houston, TX 77068 281-355-2455 FAX 281-355-9795	
SHEET 1 OF 1			COMPUTER FILE	
REV A			IMFD-F-02050	