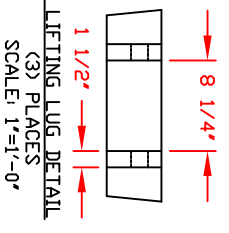
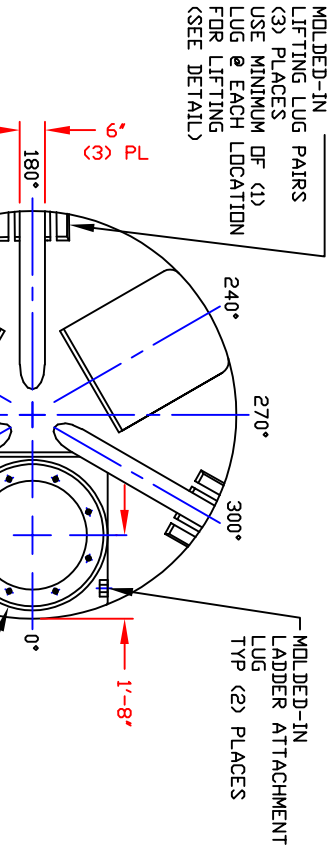
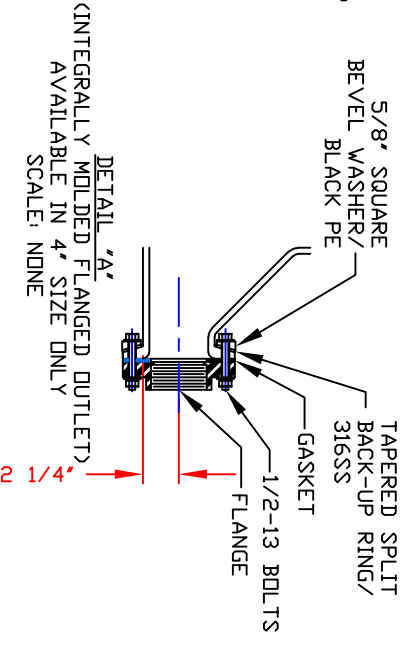


NON-CONTROLLED COPY
 INFORMATION SUBJECT TO CHANGE WITHOUT NOTICE
 VERIFY REV LEVEL OF PAPER COPY WITH REV LEVEL ON PPC WEB SITE

| NOZZLE SCHEDULE & ACCESSORIES | | | DEG ELEV |
|-------------------------------|----------|----------|----------|
| SERVICE | MK STOCK | NOI SIZE | FITTING |
| | | | |
| | | | |
| | | | |
| | | | |
| | | | |
| | | | |
| | | | |
| | | | |
| | | | |
| | | | |
| | | | |

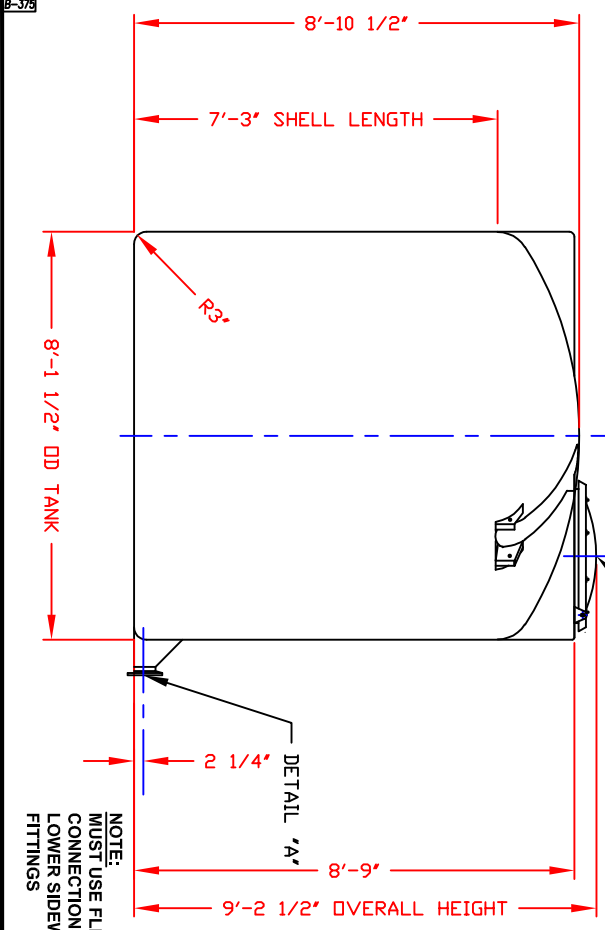


STANDARD COVER:
 24\"/>



- NOTES**
1. THIS IS A COMPUTER GENERATED DWG. DO NOT REVISE BY HAND. DIMENSIONS WILL VARY ±3% DUE TO VARIATIONS IN MULTIPLE MOLDS & CONDITIONS PREVALENT DURING MANUFACTURE & USAGE.
 2. NO MOLDED IN GALLONAGE MARKERS THIS TANK.

| | | | |
|---|------|-----|------|
| CALCULATED CAPACITIES/ VOLUME IN U.S. GALLONS DESIGN CAP DOME VOL TOTAL VOL | 2796 | 372 | 3168 |
| CONFIDENTIAL PROPERTY OF POLY PROCESSING COMPANY NOT FOR REPRINT OR USE WITHOUT PERMISSION | | | |



| | | | |
|-----------|------------|--|--------------|
| DWG TITLE | | 2750 GALLON IMFD TANK | |
| SCALE: | 3/8"=1'-0" | DR: | B. HARPER |
| DATE: | 09/25/19 | CK: | |
| | | Western Region Poly Processing Solutions 1000 S. 2000 W. Street Provo, UT 84601 801-734-9455 | |
| SHEET | 1 OF 1 | COMPUTER FILE | IMFD-F-02750 |
| REV | | | |