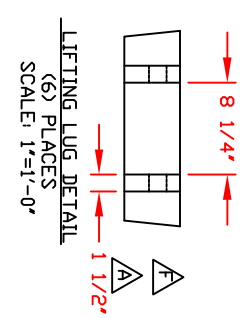
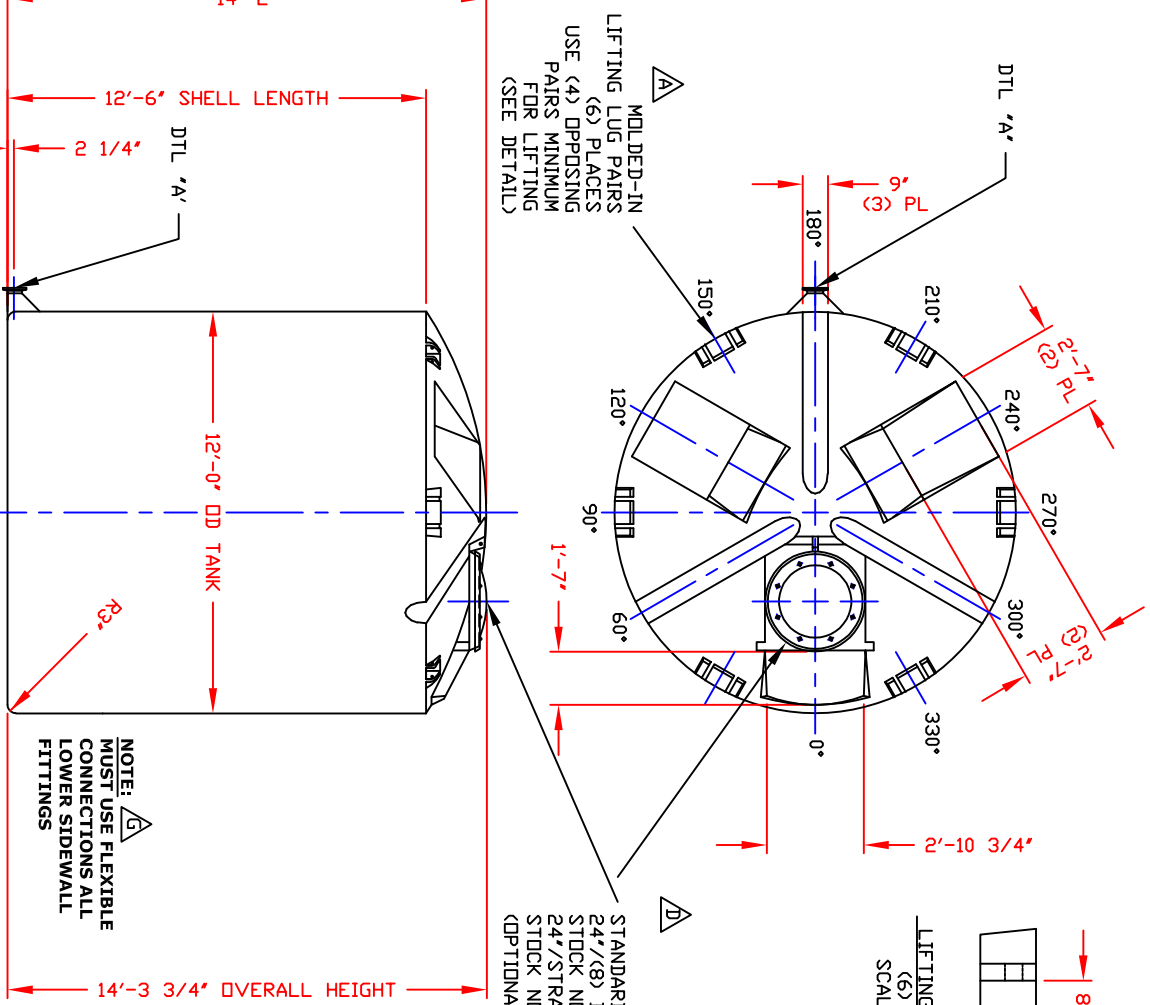
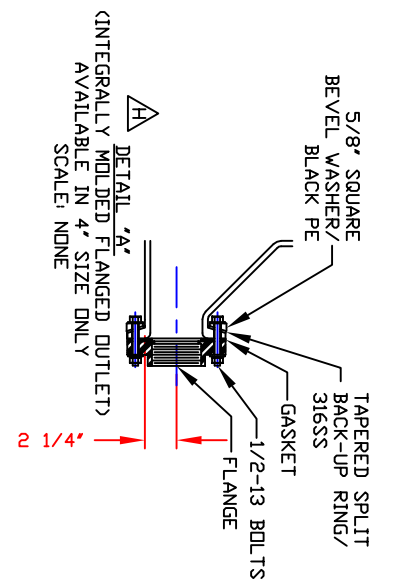


NON-CONTROLLED COPY
 INFORMATION SUBJECT TO CHANGE WITHOUT NOTICE
 VERIFY REV LEVEL OF PAPER COPY WITH REV LEVEL ON PPC WEB SITE




NOZZLE SCHEDULE & ACCESSORIES			
SERVICE	MK	STOCK NO./SIZE	DEG ELEV



- REV 'H' REVISED IMFD STYLE BY:UB 5/5/03 CK:WM
- REV 'G' ADDED FITTING NOTE BY:UB 2/13/03 CK:MBW
- REV 'F' REVISED LIFTING LUG DETAIL BY:UB 1/14/03 CK:WM
- REV 'E' ADDED DIMENSION BY:UB 10/22/02 CK:MBW
- REV 'D' REVISED DOME & NWY CONFIGURATION BY:MBW 8/28/02 CK:UB
- REV 'C' REVISED CALCULATED CAPACITY BY:UB 3/28/02 CK:MBW
- REV 'B' DID SAY 14'-3 1/2" BY:UB 3/28/02 CK:MBW
- REV 'A' ADDED LIFTING LUGS & DETAIL BY:UB 3/25/02 CK:MBW

NOTES

- THIS IS A COMPUTER GENERATED DWG. DO NOT REVISE BY HAND.
- DIMENSIONS WILL VARY ±3% DUE TO VARIATIONS IN MULTIPLE MOLDS & CONDITIONS PREVALENT DURING MANUFACTURE & USAGE.
- NO MOULDED IN GALLONAGE MARKERS THIS TANK.

DWG TITLE		10300 GALLON IMFD TANK	
SCALE:	1/4"=1'-0"	DR:	B. HARPER
DATE:	09/25/19	CK:	
		Western Region 2025 South 4th Street Grand Rapids, MI 49503 TEL: (616) 396-4800	
CALCULATED CAPACITIES/ VOLUME IN U.S. GALLONS DESIGN CAP DOME VOL/TOTAL VOL 10318 640 10958		CONFIDENTIAL PROPERTY OF POLY PROCESSING COMPANY NOT FOR REPRINT OR USE WITHOUT PERMISSION	
SHEET	1 OF 1	COMPUTER FILE	
REV			H