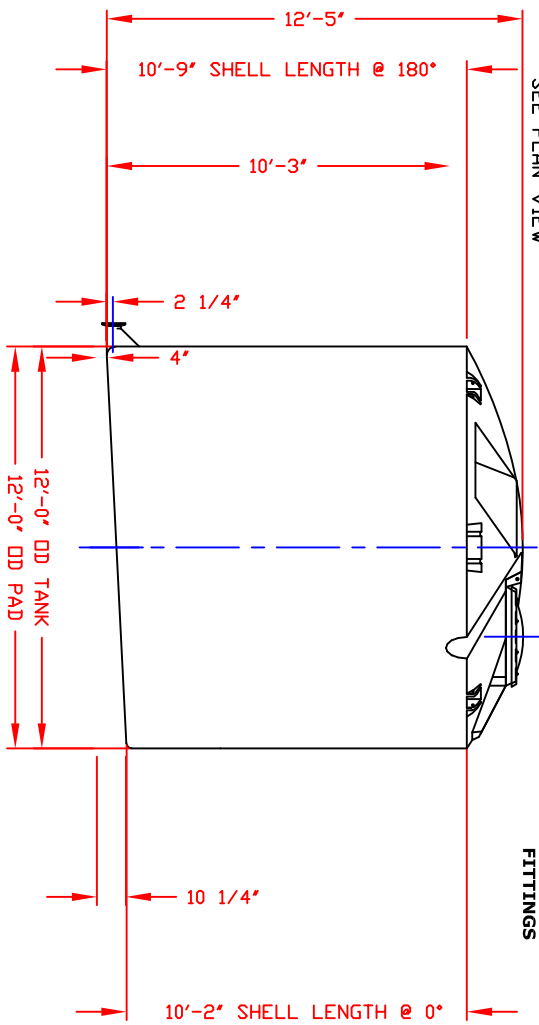


ELEVATIONS ONLY--
NOZZLES & ACCESSORIES
ROTATED INTO VIEW--
FOR TRUE ORIENTATION
SEE PLAN VIEW



NOTE:
MUST USE FLEXIBLE
CONNECTIONS ALL
LOWER SIDEWALL
FITTINGS

- NOTES
1. THIS IS A COMPUTER GENERATED DWG. DO NOT REVISE BY HAND.
 2. DIMENSIONS WILL VARY ±3% DUE TO VARIATIONS IN MULTIPLE MOLDS & CONDITIONS PREVALENT DURING MANUFACTURE & USAGE.
 3. NO MOLDED IN GALLONAGE MARKERS THIS TANK.

CALCULATED CAPACITIES/ VOLUME IN U.S. GALLONS		
DESIGN CAP	DDME VOL	TOTAL VOL
8500	640	9150

DWG TITLE		8500 GALLON SLOPE BOTTOM IMFO TANKS	
SERVICE: xxxxxx		1:35/SpG/XLPE/BLACK STOCK NO. 1120850011	
SCALE:	1/4"=1'-0"		Western Region 1000 South Main Street 6000 SHELBYVILLE, KY 40377 FAX (502) 986-0053
DATE:	09/09/19		
SHEET 1 OF 1		COMPUTER FILE	REV -