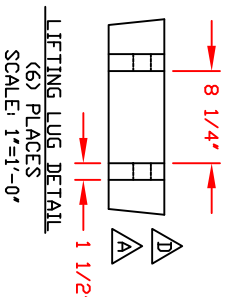
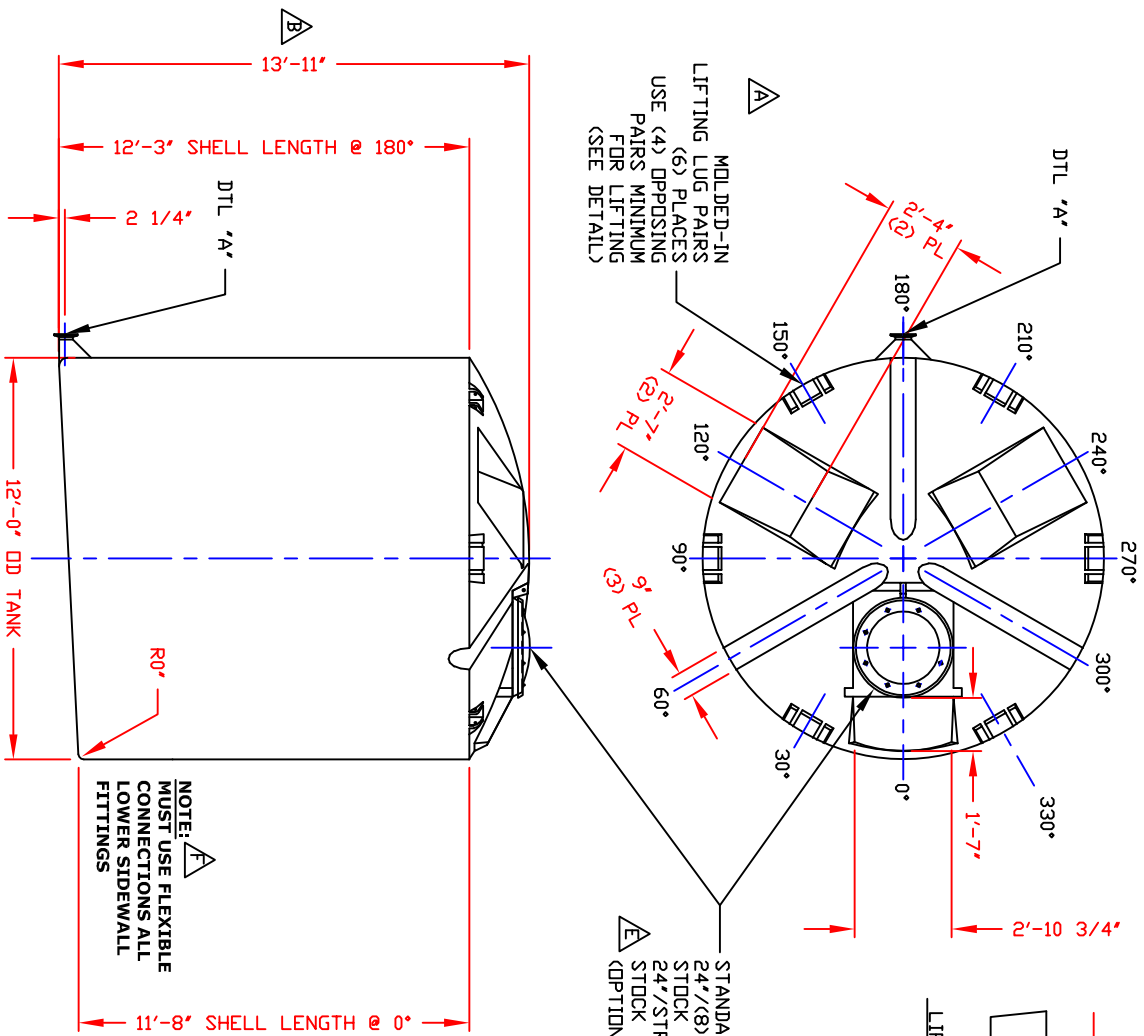
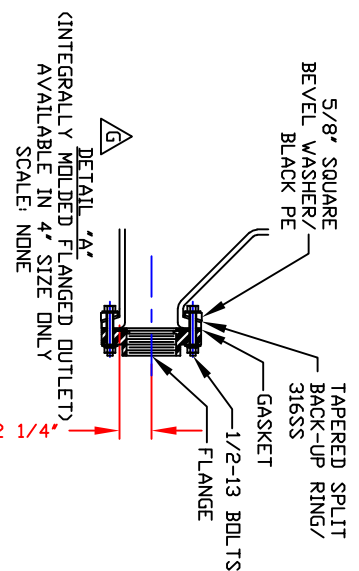


NON-CONTROLLED COPY
 INFORMATION SUBJECT TO CHANGE WITHOUT NOTICE
 VERIFY REV LEVEL OF PAPER COPY WITH REV LEVEL ON PPC WEB SITE



STANDARD COVER:
 24"/(8) BOLTS MANWAY COVER/PE (SHOWN)
 STOCK NO. 3218 OR
 24"/STRAPPED MANWAY COVER/PE
 STOCK NO. 3217
 OPTIONAL 24" COVERS AVAILABLE



- NOTES
1. THIS IS A COMPUTER GENERATED DWG. DO NOT REVISE BY HAND.
 2. DIMENSIONS WILL VARY ±3% DUE TO VARIATIONS IN MULTIPLE MOLDS & CONDITIONS PREVALENT DURING MANUFACTURE & USAGE.
 3. NO MOLDED IN GALLONAGE MARKERS THIS TANK.

CONFIDENTIAL PROPERTY OF POLY PROCESSING COMPANY NOT FOR REPRINT OR USE WITHOUT PERMISSION

CALCULATED CAPACITIES/ VOLUME IN U.S. GALLONS	DESIGN CAP DOME VOL TOTAL VDL
9867	640
10507	

- REV 'G' REVISED IMFD STYLE BY:J.B 4/30/03 CK:W.M
- REV 'F' ADDED FITTING NOTE BY:J.B 2/13/03 CK:MB.V
- REV 'E' REVISED DOME & MWY CONFIGURATION BY:J.B 1/14/03 CK:W.M
- REV 'D' REVISED LIFTING LUG DETAIL BY:J.B 1/14/03 CK:W.M
- REV 'C' REVISED CALCULATED CAPACITY BY:J.B 3/28/02 CK:MB.V
- REV 'B' DID SAY 14'-1/2" BY:J.B 3/28/02 CK:MB.V
- REV 'A' ADDED LIFTING LUGS & DETAIL BY:J.B 3/25/02 CK:MB.V

DWG TITLE: 9850 GALLON SLOPE BOTTOM IMFD TANK

SCALE: 1/4"=1'-0"

DATE: 09/16/19

Poly Processing Company

Western Region
 1000 South Main Street
 6007 360-9000
 FAX 6007 360-9000

DR: B. HARPER
 CK: D. RECTOR

SHEET: 1 OF 1
 COMPUTER FILE: IMFD-S-09850
 REV: G