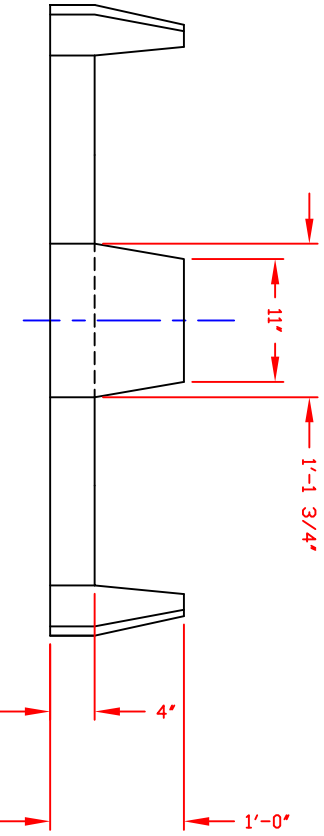
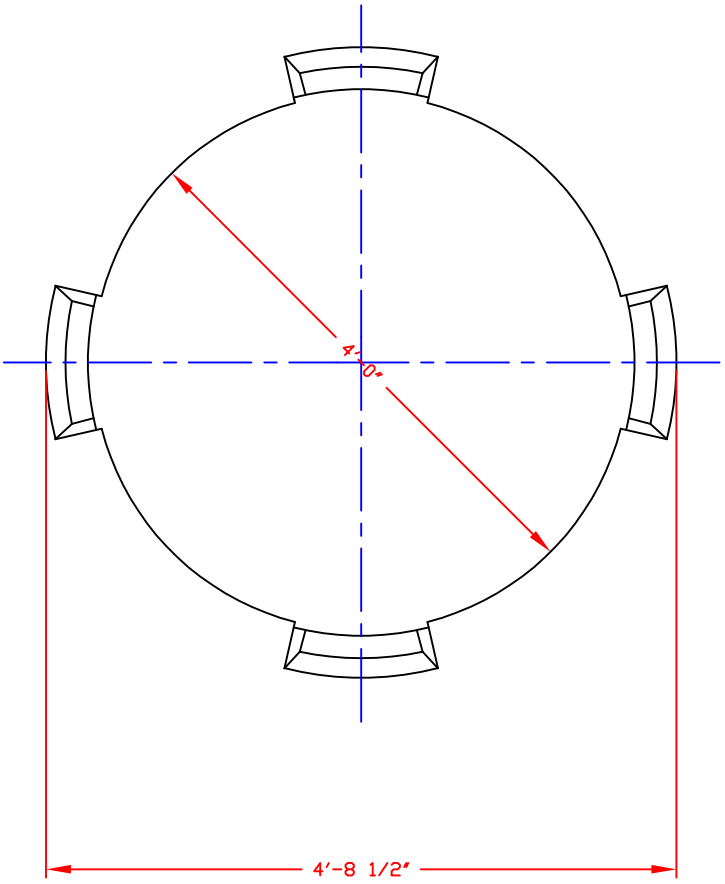



NON-CONTROLLED COPY  
 INFORMATION SUBJECT TO CHANGE WITHOUT NOTICE  
 VERIFY REV LEVEL OF PAPER COPY WITH REV LEVEL ON PPC WEB SITE



- NOTES**
1. THIS IS A GENERATED COMPUTER DWG. DO NOT REVISE BY HAND.
  2. DIMENSIONS WILL VARY ±3% DUE TO VARIATIONS IN MULTIPLE MOLDS & CONDITIONS PREVALENT DURING MANUFACTURE & USAGE.

CONFIDENTIAL PROPERTY OF  
 POLY PROCESSING COMPANY  
 NOT FOR REPRINT OR USE  
 WITHOUT PERMISSION

DWG TITLE: PAD FOR 4' DD IMFD TANK

SCALE: 1"=1'-0"		 <b>POLY PROCESSING SOLUTIONS, INC.</b>	Central Region P.O. Box 4580, Grand Rapids, MI 49508 (616) 360-2600 FAX: (616) 360-9796	
DATE: 10/24/19			DR: B. HARPER	CK:
SHEET 1 OF 1		COMPUTER FILE	REV -	