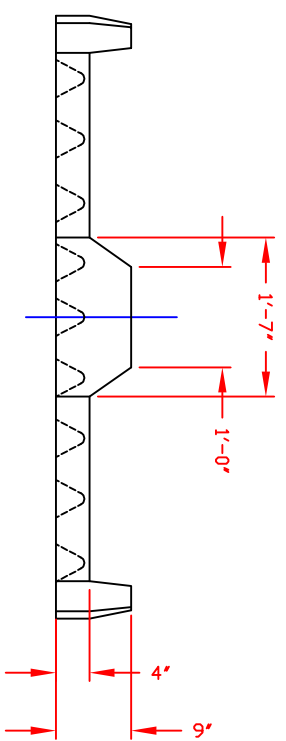
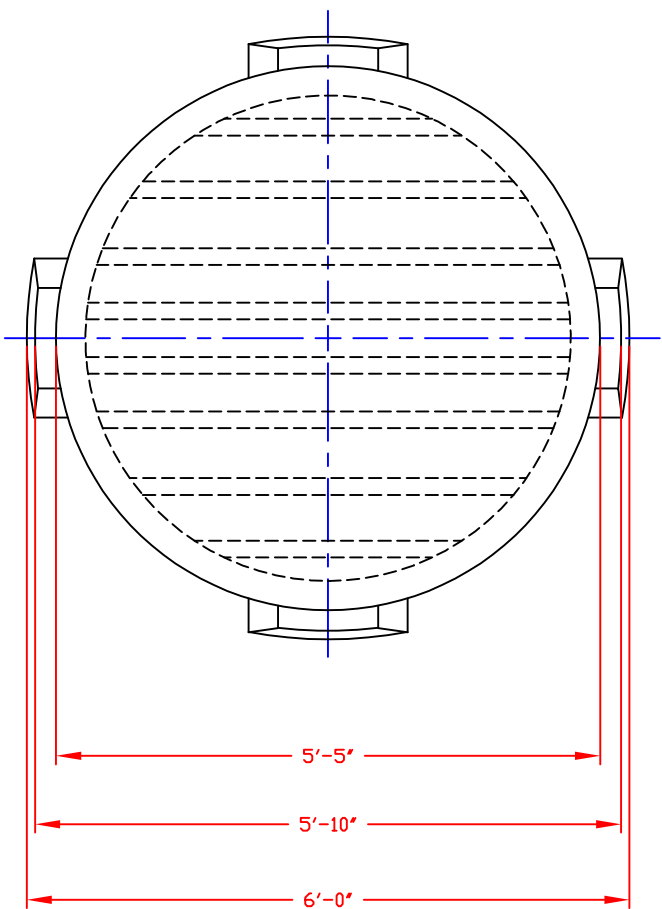



NON-CONTROLLED COPY  
 INFORMATION SUBJECT TO CHANGE WITHOUT NOTICE  
 VERIFY REV LEVEL OF PAPER COPY WITH REV LEVEL ON PPC WEB SITE



**NOTES**  
 1. THIS IS A COMPUTER GENERATED DWG. DO NOT REVISE BY HAND.  
 2. DIMENSIONS WILL VARY ±3% DUE TO VARIATIONS IN MULTIPLE  
 MOLDS & CONDITIONS PREVALENT DURING MANUFACTURE & USAGE.

CONFIDENTIAL PROPERTY OF  
 POLY PROCESSING COMPANY  
 NOT FOR REPRINT OR USE  
 WITHOUT PERMISSION

DWG TITLE		PAD FOR 5'-4" DD IMFO TANK	
SCALE:	3/4"=1'-0"	 <b>POLY PROCESSING</b> SOLUTIONS, INC.	
DATE:	10/24/19		
		Central Region P.O. Box 488, Grand Rapids, MI 49508 (616) 342-7462 Fax: (616) 342-9798	DR: B. HARPER
		DR: CK:	SHEET 1 OF 1
		COMPUTER FILE	PADX-F-00504
		REV	-