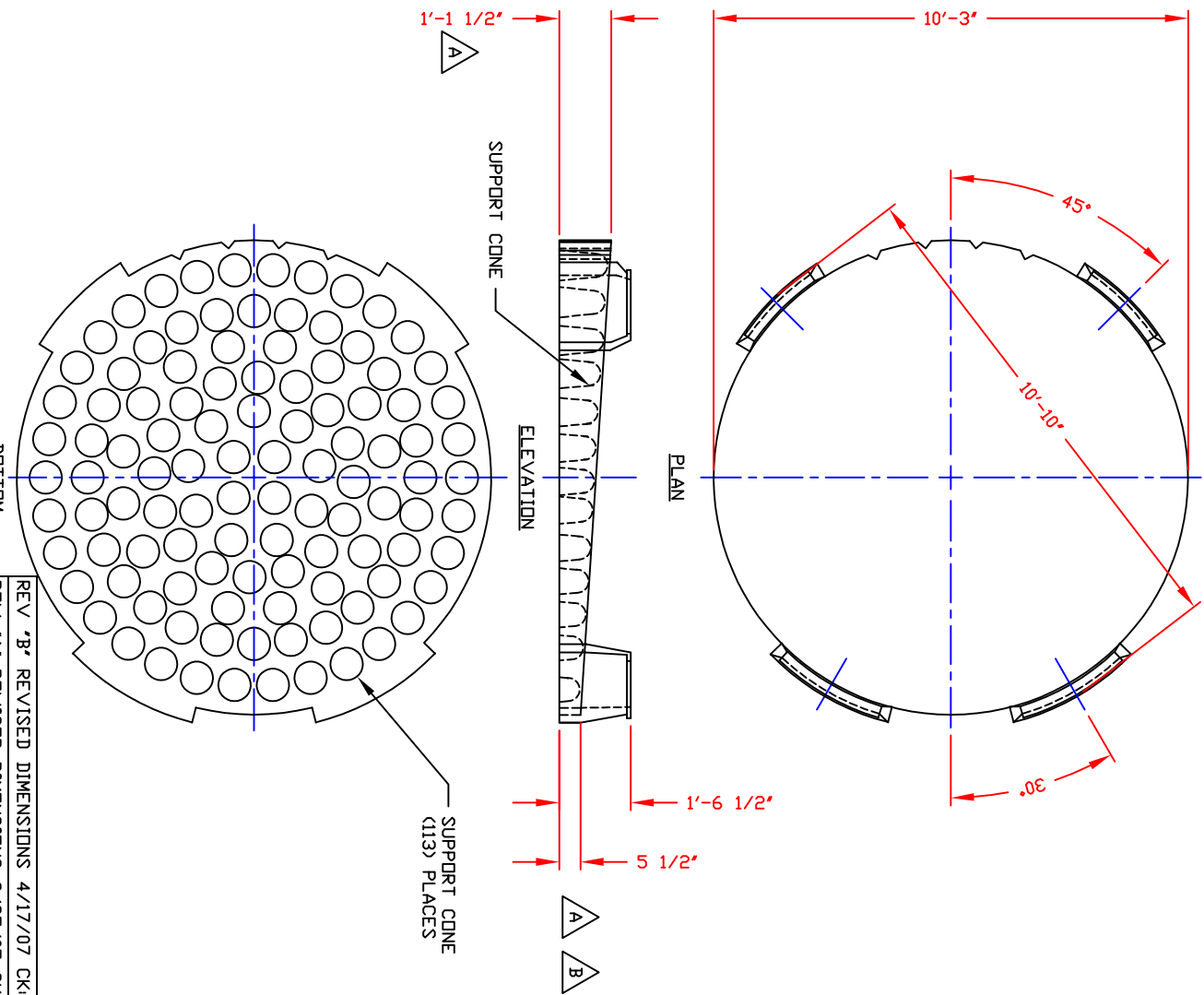



NON-CONTROLLED COPY
 INFORMATION SUBJECT TO CHANGE WITHOUT NOTICE
 VERIFY REV LEVEL OF PAPER COPY WITH REV LEVEL ON PPC WEB SITE



- NOTES**
1. THIS IS A COMPUTER GENERATED DWG. DD NOT REVISE BY HAND.
 2. DIMENSIONS WILL VARY ±3% DUE TO VARIATIONS IN MULTIPLE MOLDS & CONDITIONS PREVALENT DURING MANUFACTURE & USAGE.

**CONFIDENTIAL PROPERTY OF
 POLY PROCESSING COMPANY
 NOT FOR REPRINT OR USE
 WITHOUT PERMISSION**

DWG TITLE		PAD FOR 10'-2" DD SLOPE BOTTOM TANK	
SCALE:	3/8"=1'-0"	 Poly Processing COMPANY	Central Region P.O. Box 458 1000 1st Street 2000 3rd Street Ft. Worth, TX 76101
DATE:	09/10/19		
DR: B. HARPER CK:		SHEET: 1 OF 1 COMPUTER FILE: PADDX-S-01002 REV: B	

REV 'B' REVISED DIMENSIONS 4/17/07 CK:JB
 REV 'A' REVISED DIMENSIONS 3/27/07 CK:JB

