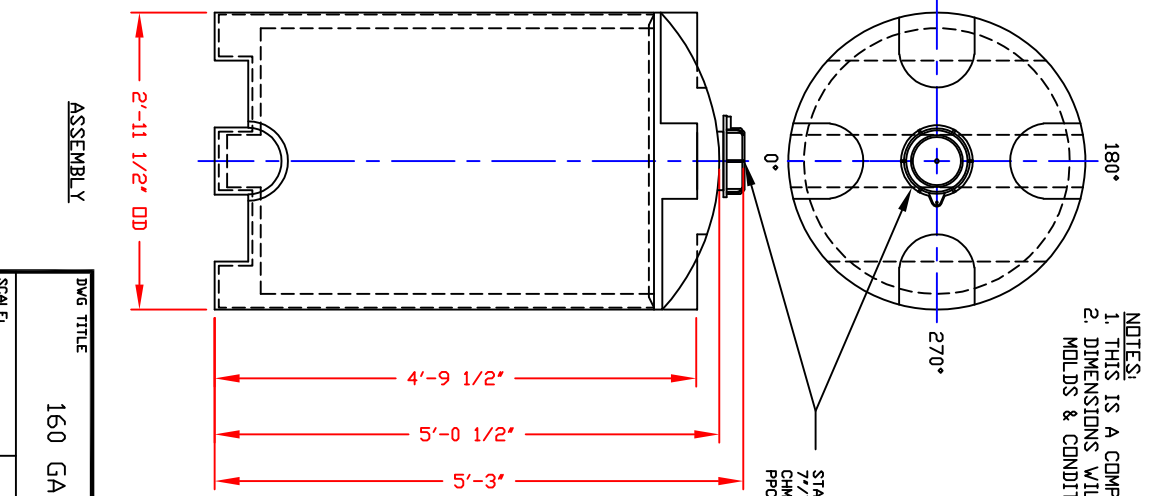
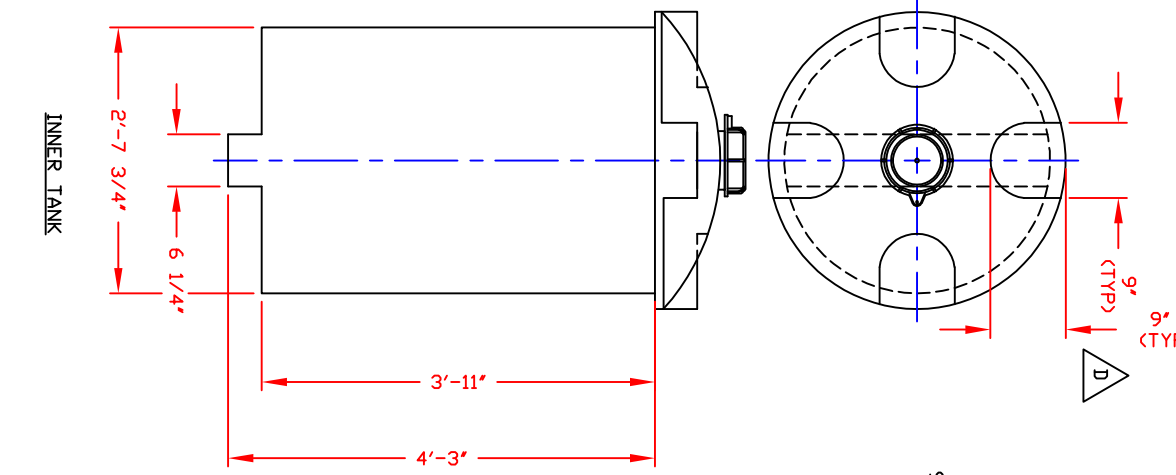
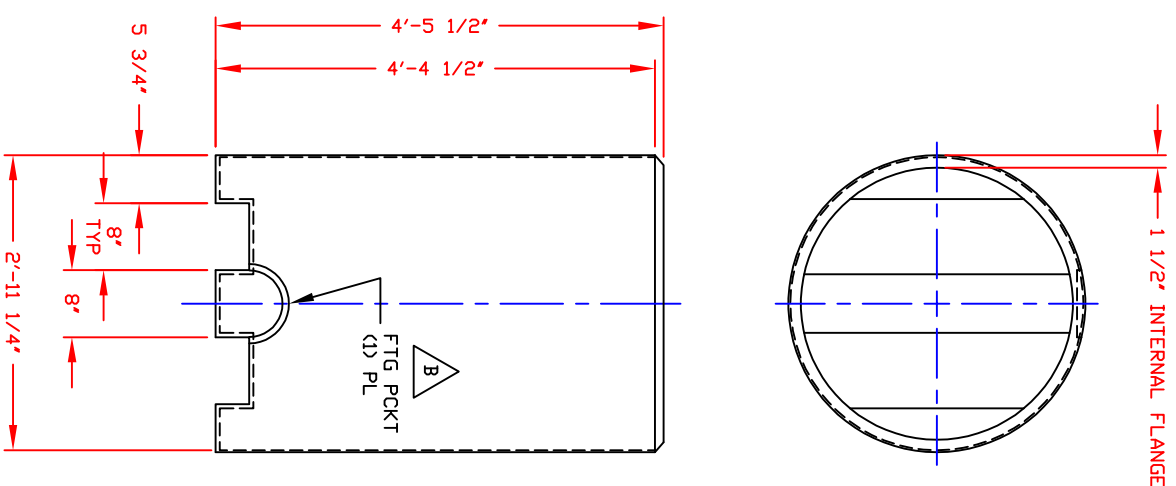


NON-CONTROLLED COPY
 INFORMATION SUBJECT TO CHANGE WITHOUT NOTICE
 VERIFY REV LEVEL OF PAPER COPY WITH REV LEVEL ON PPC WEB SITE



NOTES:
 1. THIS IS A COMPUTER GENERATED DWG. DO NOT REVISE BY HAND.
 2. DIMENSIONS WILL VARY ±3% DUE TO VARIATIONS IN MULTIPLE MOLDS & CONDITIONS PREVALENT DURING MANUFACTURE & USAGE.

NOTE:
 MUST USE FLEXIBLE CONNECTIONS ALL LOWER SIDEWALL FITTINGS

CALCULATED CAPACITIES/ VOLUME IN U.S. GALLONS			
TANK	SHELL CAP/DOME VOL	TOTAL VOL	
INNER	160	11	171
OUTER	205	N/A	205

CONFIDENTIAL PROPERTY OF
 POLY PROCESSING COMPANY
 NOT FOR REPRINT OR USE
 WITHOUT PERMISSION

8-75

OUTER TANK

INNER TANK

ASSEMBLY

REV 'D' REVISED DOME FLATS BY:JUB 12/4/12 CK:WM
 REV 'C' REVISED COVER BY:JUB 7/27/09 CK:WM
 REV 'B' ADDED FTG POCKET BY:MBW 7/13/04 CK:JUB
 REV 'A' ADDED FITTING NOTE BY:MBW 4/15/03 CK:JUB

DWG TITLE: 160 GALLON SAFE-TANK ASSEMBLY

SCALE: 3/4"=1'-0"

DATE: 09/11/19

POLY PROCESSING COMPANY

DR: B. HARPER

1 OF 1 SHEET

COMPUTER FILE: SAFE-A-00160

REV: D