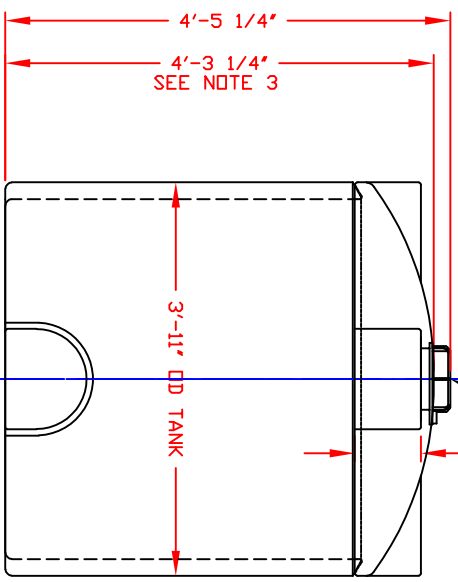
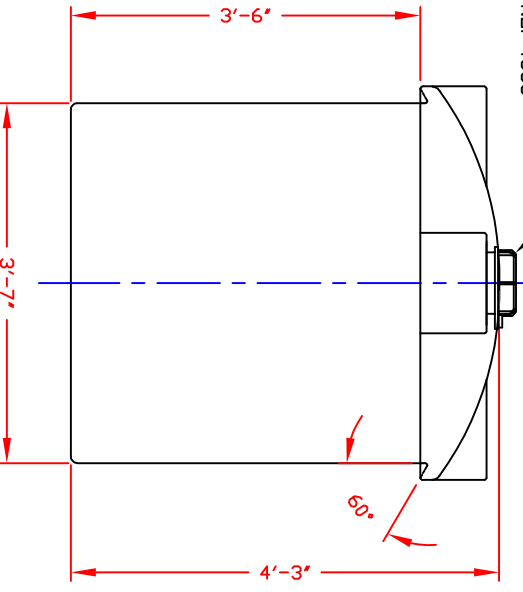
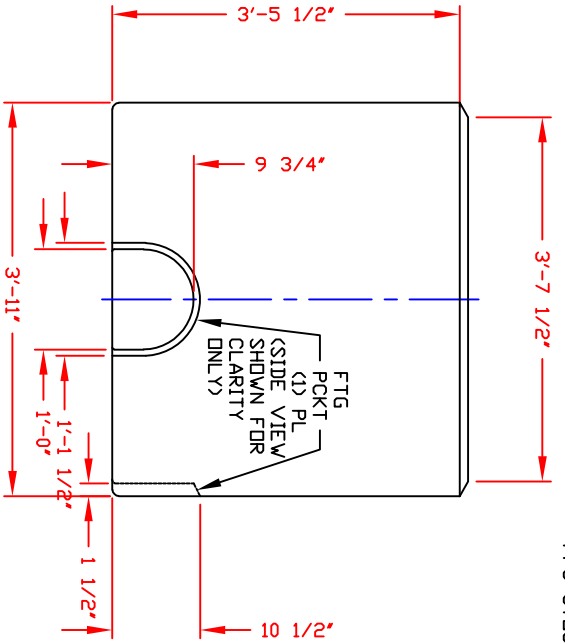
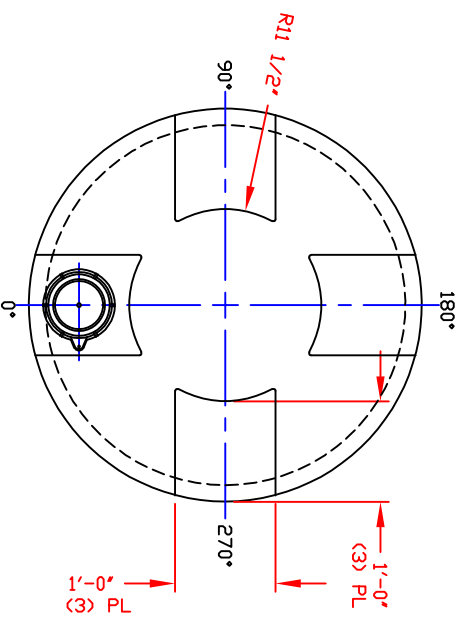
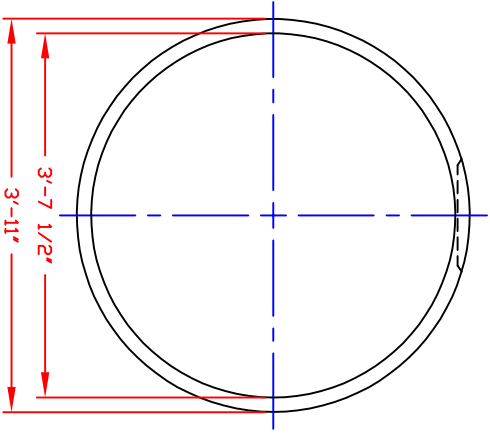


NON-CONTROLLED COPY  
 INFORMATION SUBJECT TO CHANGE WITHOUT NOTICE  
 VERIFY REV LEVEL OF PAPER COPY WITH REV LEVEL ON PPC WEB SITE



STANDARD COVER:  
 7"/BUTTRESS THREAD  
 CAP/BLK/PE  
 W/GSKT/EPDM  
 PPC STOCK NO. 4565

STANDARD COVER:  
 7"/BUTTRESS THREAD  
 CAP/BLK/PE  
 W/GSKT/EPDM  
 PPC STOCK NO. 4565

- NOTES**
- THIS IS A COMPUTER GENERATED DWG. DO NOT REVISE BY HAND.
  - DIMENSIONS WILL VARY ±3% DUE TO VARIATIONS IN MULTIPLE MOLDS & CONDITIONS PREVALENT DURING MANUFACTURE & USAGE.
  - OVERALL HEIGHT WILL VARY WITH THE PENETRATION OF THE INNER TANK INTO THE OUTER TANK.

CALCULATED CAPACITIES/ VOLUME IN U.S. GALLONS			
TANK	SHELL CAPACITIE VOL	TOTAL VOL	
INNER	258	25	283
OUTER	304	N/A	304

CONFIDENTIAL PROPERTY OF  
 POLY PROCESSING COMPANY  
 NOT FOR REPRINT OR USE  
 WITHOUT PERMISSION

DWG TITLE		250 GALLON SAFE-TANK ASSEMBLY	
SCALE:	3/4"=1'-0"	DR:	B. HARPER
DATE:	09/11/19	CHK:	
		Central Region P.O. Box 480, Grand Rapids, Michigan 49508 Phone: 616-235-7600 Fax: 616-235-9799	
SHEET	1 OF 1	COMPUTER FILE	SAFE-A-00250
REV	-		