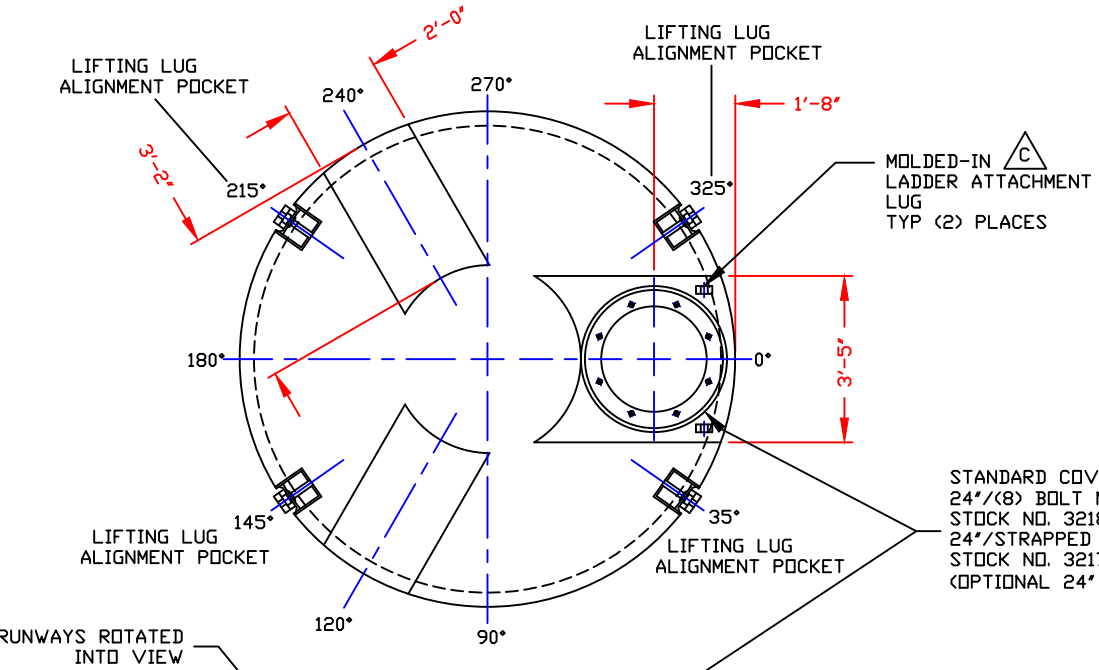
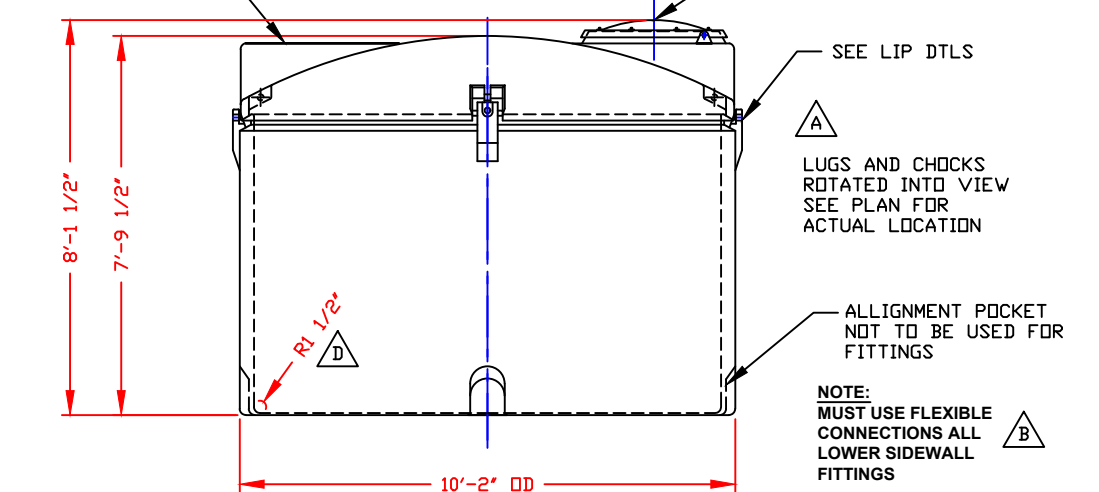
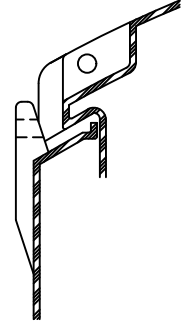
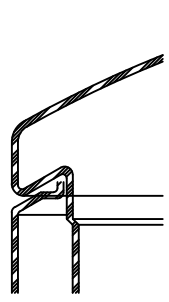


NON-CONTROLLED COPY
 INFORMATION SUBJECT TO CHANGE WITHOUT NOTICE
 VERIFY REV LEVEL OF PAPER COPY WITH REV LEVEL ON PPC WEB SITE

NOZZLE SCHEDULE & ACCESSORIES						
SERVICE	MK	STOCK NO.	SIZE	FITTING	DEG	ELEV



STANDARD COVER:
 24"/(8) BOLT MANWAY COVER/PE (SHOWN)
 STOCK NO. 3218 OR
 24"/STRAPPED MANWAY COVER/PE
 STOCK NO. 3217
 (OPTIONAL 24" COVERS AVAILABLE)



- NOTES:**
- THIS IS A COMPUTER GENERATED DWG. DO NOT REVISE BY HAND.
 - DIMENSIONS WILL VARY ±3% DUE TO VARIATIONS IN MULTIPLE MOLDS & CONDITIONS PREVALENT DURING MANUFACTURE & USAGE.
 - FOR INNER TANK DTLs SEE COMPUTER FILE NO. 2003150, TITLE "3150 GALLON INNER SAFE-TANK" FOR OUTER TANK DTLs SEE COMPUTER FILE NO. 2103550, TITLE "3150 GALLON OUTER SAFE-TANK/3550 GALLON OPEN TOP TANK".
 - OVERALL HEIGHT DIMENSION WILL VARY WITH THE PENETRATION OF THE INNER TANK INTO THE OUTER TANK.

CALCULATED CAPACITIES/ VOLUME IN U.S. GALLONS			
TANK	DESIGN CAP	DOME VOL	TOTAL VOL
INNER	3191	419	3610
OUTER	3551	N/A	3551

CONFIDENTIAL PROPERTY OF
 POLY PROCESSING COMPANY
 NOT FOR REPRINT OR USE
 WITHOUT PERMISSION

DWG TITLE: 3150 GALLON SAFE-TANK ASSEMBLY

SCALE: 3/8"=1'-0"		Central Region P.O. Box 4100 (71821) 2510 Old Sterlington Rd. Monroe, LA 71203 (504) 343-7165 FAX (504) 343-0795	DR: B. HARPER
DATE: 09/13/19		SHEET 1 OF 1	COMPUTER FILE SAFE-A-03150
REV "C" ADDED LADDER ATTACHMENT LUGS BY:JB 10/1/04 CK:WM REV "B" ADDED FITTING NOTE BY:MBW 4/16/03 CK:JB REV "D" REVISED RADIUS BY:JB 3/2/10 CK:WM REV "A" MODIFICATION TO MOLD BY:MBW 9/10/02 CK:JB		REV D	