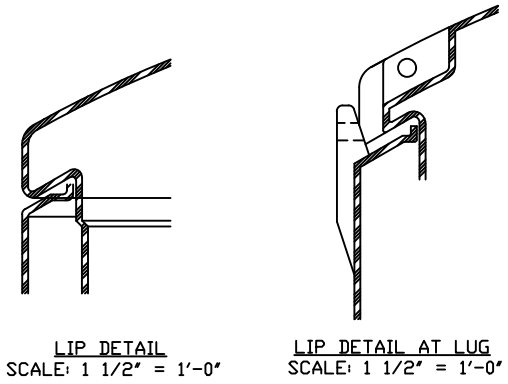
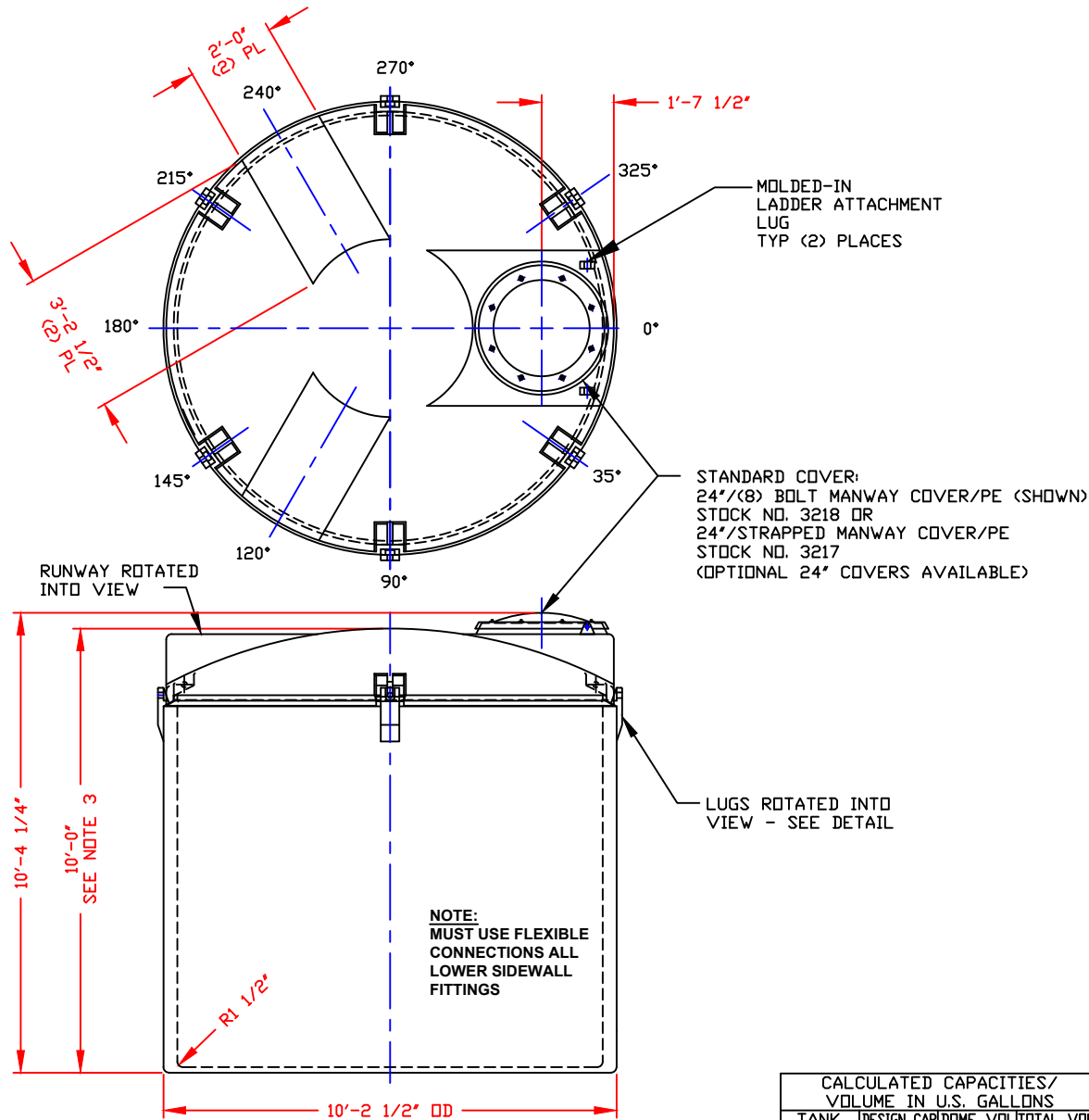


NON-CONTROLLED COPY
 INFORMATION SUBJECT TO CHANGE WITHOUT NOTICE
 VERIFY REV LEVEL OF PAPER COPY WITH REV LEVEL ON PPC WEB SITE


NOZZLE SCHEDULE & ACCESSORIES					
SERVICE	MK	STOCK NO.	SIZE	FITTING	DEG ELEV



- NOTES:
- THIS IS A COMPUTER GENERATED DWG. DO NOT REVISE BY HAND.
 - DIMENSIONS WILL VARY ±3% DUE TO VARIATIONS IN MULTIPLE MOLDS & CONDITIONS PREVALENT DURING MANUFACTURE & USAGE.
 - OVERALL HEIGHT DIMENSION WILL VARY WITH THE PENETRATION OF THE INNER TANK INTO THE OUTER TANK.
 - NO MOLDED IN GALLONAGE MARKERS THESE TANKS.
 - FOR INNER TANK DTLS SEE COMPUTER FILE NO. 12004350, TITLE "4350 GALLON INNER SAFE-TANK." FOR OUTER TANK DTLS SEE COMPUTER FILE NO. 12104950, TITLE "4350 GALLON OUTER SAFE-TANK/4950 GALLON OPEN TOP TANK."

CONFIDENTIAL PROPERTY OF
 POLY PROCESSING COMPANY
 NOT FOR REPRINT OR USE
 WITHOUT PERMISSION

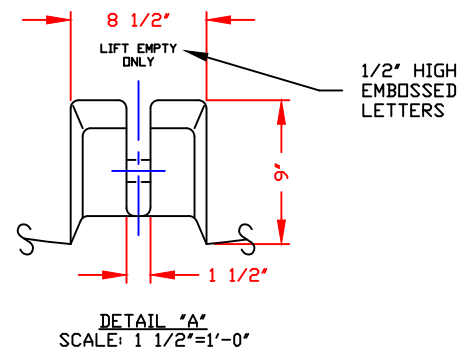
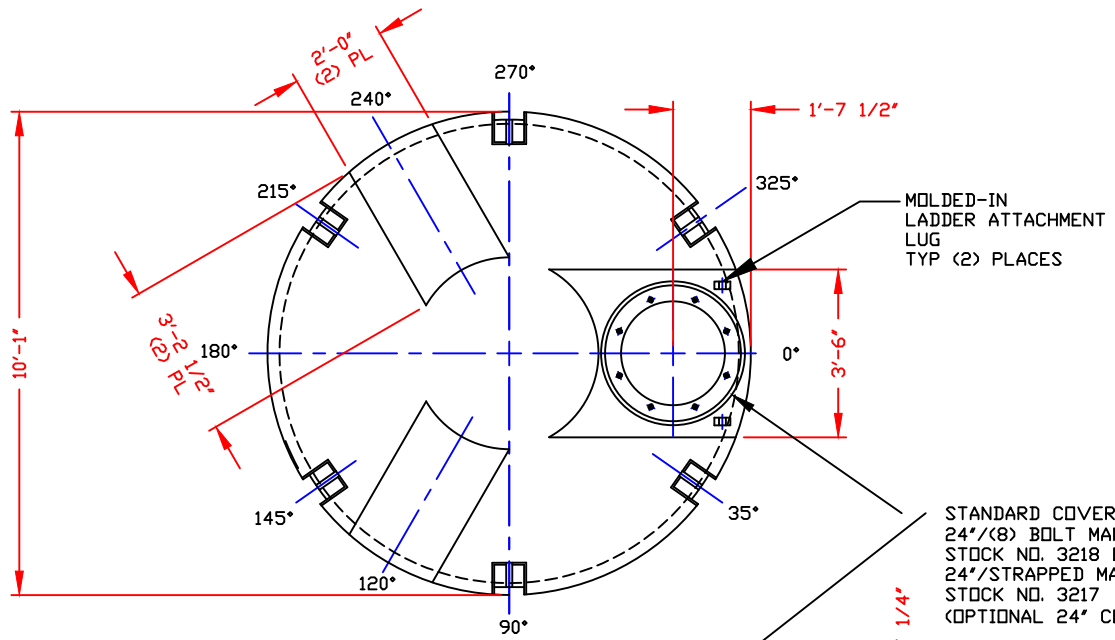
CALCULATED CAPACITIES/ VOLUME IN U.S. GALLONS			
TANK	DESIGN CAP	DOME VOL	TOTAL VOL
INNER	4385	437	4822
OUTER	4994	N/A	4994

DWG TITLE 4350 GALLON SAFE-TANK ASSEMBLY			
SCALE: 3/8"=1'-0"	 Western Region P.O. Box 88 8925 South Ash Street French Camp, CA 95521 (530) 982-8504 FAX (530) 982-8455	DR: B. HARPER	
DATE: 09/13/19		CK: 	
SHEET 1 OF 1		COMPUTER FILE SAFE-A-04350	REV A

REV "A" ADDED FITTING NOTE BY: BH 3/12/21

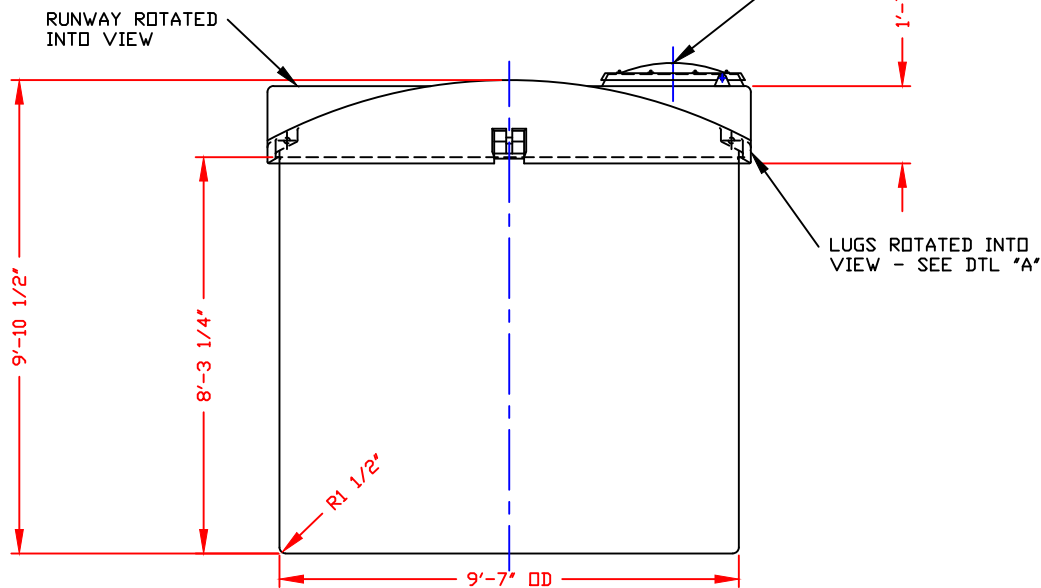
NON-CONTROLLED COPY
 INFORMATION SUBJECT TO CHANGE WITHOUT NOTICE
 VERIFY REV LEVEL OF PAPER COPY WITH REV LEVEL ON PPC WEB SITE

NOZZLE SCHEDULE & ACCESSORIES						
SERVICE	MK	STOCK NO.	SIZE	FITTING	DEG	ELEV



STANDARD COVER:
 24"/(8) BOLT MANWAY COVER/PE (SHOWN)
 STOCK NO. 3218 OR
 24"/STRAPPED MANWAY COVER/PE
 STOCK NO. 3217
 (OPTIONAL 24" COVERS AVAILABLE)

- NOTES:
- THIS IS A COMPUTER GENERATED DWG. DO NOT REVISE BY HAND.
 - DIMENSIONS WILL VARY ±3% DUE TO VARIATIONS IN MULTIPLE MOLDS & CONDITIONS PREVALENT DURING MANUFACTURE & USAGE.
 - NO MOLDED IN GALLONAGE MARKERS THIS TANK.
 - FOR OUTER TANK DTLS SEE COMPUTER FILE NO. 12104950, TITLE "4350 GALLON OUTER SAFE-TANK/4950 GALLON OPEN TOP TANK." FOR ASSEMBLY DTLS SEE COMPUTER FILE NO. 12004350A, TITLE "4350 GALLON SAFE-TANK ASSEMBLY."



CALCULATED CAPACITIES/ VOLUME IN U.S. GALLONS		
DESIGN CAP	DOME VOL	TOTAL VOL
4385	437	4822

CONFIDENTIAL PROPERTY OF
 POLY PROCESSING COMPANY
 NOT FOR REPRINT OR USE
 WITHOUT PERMISSION

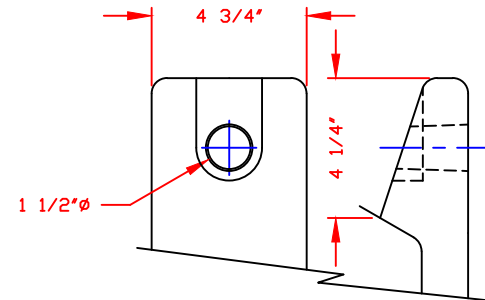
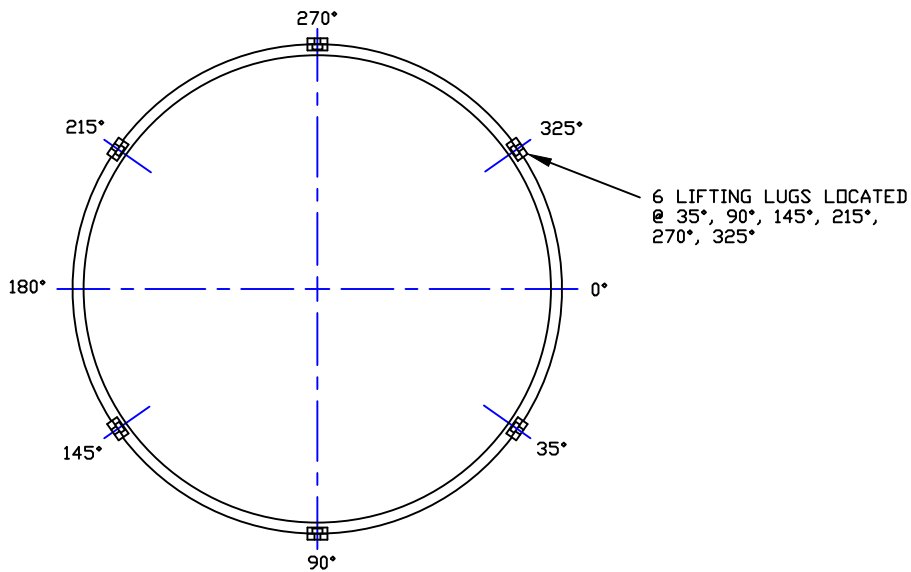
DWG TITLE 4350 GALLON INNER SAFE-TANK			
SCALE: 3/8"=1'-0"		Western Region P.O. Box 60 6025 South 4th Street French Camp, GA 30534 678-492-4941 FAX 678-492-6435	DR: B. HARPER
DATE: 09/13/19			CK:
SHEET 1 OF 1	COMPUTER FILE SAFE-I-04350	REV A	

REV "A" ADDED FITTING NOTE BY: BH 3/12/21

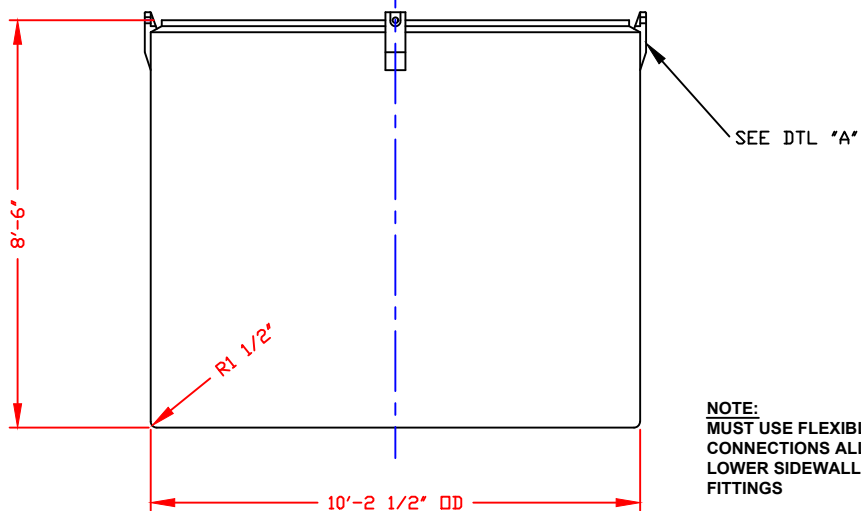
NON-CONTROLLED COPY
 INFORMATION SUBJECT TO CHANGE WITHOUT NOTICE
 COPY WILL NOT BE UPDATED

COPY ISSUED BY _____
 COPY ISSUED ON _____

NOZZLE SCHEDULE & ACCESSORIES						
SERVICE	MK	STOCK NO.	SIZE	FITTING	DEG	ELEV



LUG DETAIL "A"
 SCALE: 1 1/2" = 1'-0"



NOTE:
 MUST USE FLEXIBLE CONNECTIONS ALL LOWER SIDEWALL FITTINGS

NOTES:

- THIS IS A COMPUTER GENERATED DWG. DO NOT REVISE BY HAND.
- DIMENSIONS WILL VARY ±3% DUE TO VARIATIONS IN MULTIPLE MOLDS & CONDITIONS PREVALENT DURING MANUFACTURE & USAGE.
- NO MOLDED IN GALLONAGE MARKERS THIS TANK.
- FOR INNER TANK DTLS SEE COMPUTER FILE NO. 12004350, TITLE "4350 GALLON INNER SAFE-TANK." FOR ASSEMBLY DTLS SEE COMPUTER FILE NO. 12004350A, TITLE, "4400 GALLON SAFE-TANK ASSEMBLY."

CALCULATED CAPACITY VOLUME IN U.S. GALLONS
DESIGN CAPACITY
4994

CONFIDENTIAL PROPERTY OF
 POLY PROCESSING COMPANY
 NOT FOR REPRINT OR USE
 WITHOUT PERMISSION

DWG TITLE 4350 & 4400 GALLON OUTER SAFE-TANK/ 4950 GALLON OPEN TOP TANK			
SCALE: 3/8"=1'-0"	POLYPROCESSING SOLUTIONS, SIMPLIFIED.	Western Region P.O. Box 80 8035 South Ash Street French Camp, CA 95228 (916) 982-4504 FAX (916) 982-4425	DR: B. HARPER CK:
DATE: 09/13/19		SHEET 1 OF 1 COMPUTER FILE SAFE-0-04350	REV A

REV "A" ADDED FITTING NOTE BY: BH 3/12/21