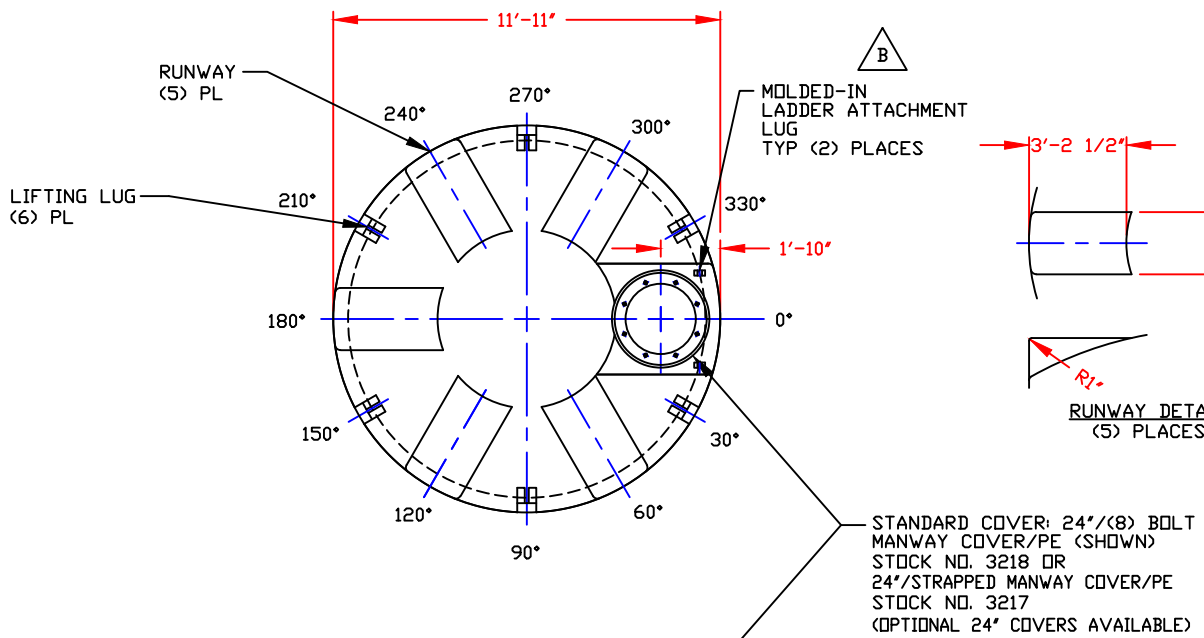
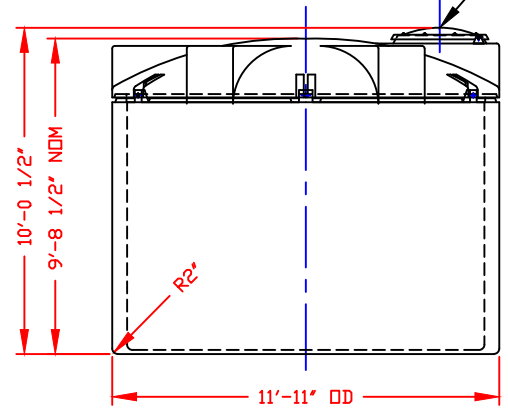


NON-CONTROLLED COPY
 INFORMATION SUBJECT TO CHANGE WITHOUT NOTICE
 VERIFY REV LEVEL OF PAPER COPY WITH REV LEVEL ON PPC WEB SITE

NOZZLE SCHEDULE & ACCESSORIES						
SERVICE	MK	STOCK NO.	SIZE	FITTING	DEG	ELEV



STANDARD COVER: 24"/(8) BOLT
 MANWAY COVER/PE (SHOWN)
 STOCK NO. 3218 OR
 24"/STRAPPED MANWAY COVER/PE
 STOCK NO. 3217
 (OPTIONAL 24" COVERS AVAILABLE)



NOTES

1. THIS IS A COMPUTER GENERATED DWG. DO NOT REVISE BY HAND.
2. DIMENSIONS WILL VARY ±3% DUE TO VARIATIONS IN MULTIPLE MOLDS & CONDITIONS PREVALENT DURING MANUFACTURE & USAGE.
3. OVERALL HEIGHT DIMENSION WILL VARY WITH THE PENETRATION OF THE INNER TANK INTO THE OUTER TANK.
4. FOR INNER TANK DTLS SEE COMPUTER FILE NO. 2005400, TITLE "5400 GALLON INNER SAFE-TANK" FOR OUTER TANK DTLS SEE COMPUTER FILE NO. 2106300, TITLE "5400 GALLON OUTER SAFE-TANK / 6300 GALLON OPEN TOP TANK."

CALCULATED CAPACITIES/ VOLUME IN U.S. GALLONS			
TANK	DESIGN CAP	DOME VOL	TOTAL VOL
INNER	5447	659	6106
OUTER	6346	N/A	6346

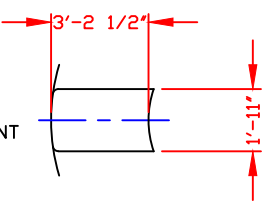
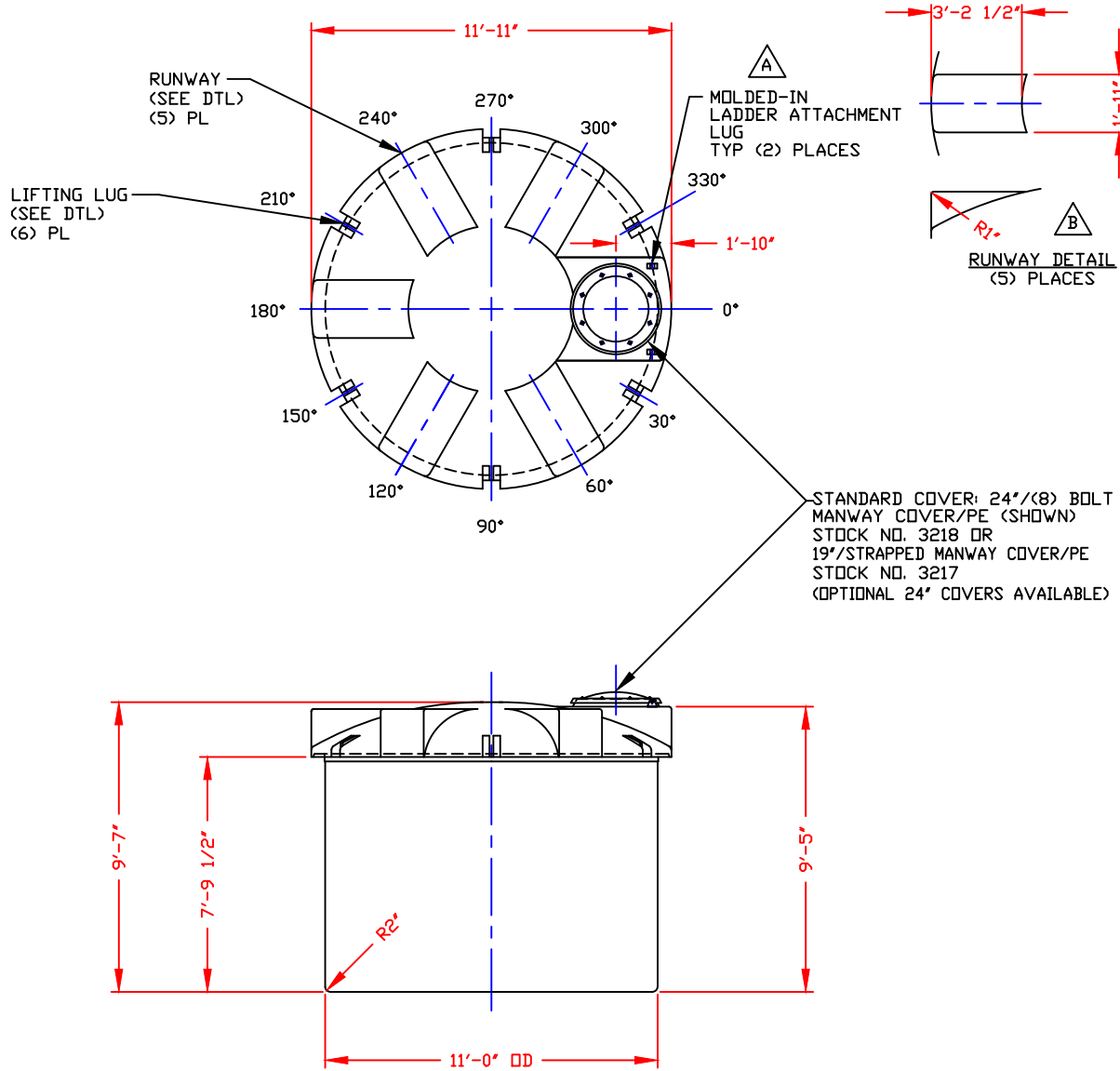
CONFIDENTIAL PROPERTY OF
 POLY PROCESSING COMPANY
 NOT FOR REPRINT OR USE
 WITHOUT PERMISSION

- REV "E" ADDED RUNWAYS TO ELEV VIEW BY:JB 3/30/10 CK:SN
- REV "D" ADDED (3) RUNWAYS BY:JB 8/17/09 CK:WM
- REV "C" ADDED RUNWAY DETAIL BY:MBW 10/26/05 CK:JB
- REV "B" ADDED LADDER ATTACHMENT LUGS BY:JB 9/23/04 CK:WM
- REV "A" ADDED FITTING NOTE BY:MBW 4/16/03 CK:JB

DWG TITLE: 5400 GALLON SAFE-TANK ASSEMBLY

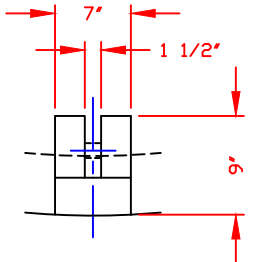
SCALE: 1/4"=1'-0"		Central Region P.O. Box 4190 (71810) 2510 East Overington Rd. Monroe, LA 71202 (504) 343-7525 FAX (504) 343-8795	DR: B. HARPER
DATE: 09/13/19			CK:
SHEET 1 OF 1		COMPUTER FILE SAFE-A-05400	REV E

NON-CONTROLLED COPY
 INFORMATION SUBJECT TO CHANGE WITHOUT NOTICE
 VERIFY REV LEVEL OF PAPER COPY WITH REV LEVEL ON PPC WEB SITE



NOZZLE SCHEDULE & ACCESSORIES					
SERVICE	MK	STOCK NO.	SIZE	FITTING	DEG ELEV

NOTE: MOLDED IN 3/8" HIGH LETTERING ABOVE LIFTING LUGS TO READ:
 "LIFT EMPTY ONLY
 USE ALL LIFTING LUGS"



NOTES
 1. THIS IS A COMPUTER GENERATED DWG. DO NOT REVISE BY HAND.
 2. DIMENSIONS WILL VARY ±3% DUE TO VARIATIONS IN MULTIPLE MOLDS & CONDITIONS PREVALENT DURING MANUFACTURE & USAGE.
 3. FOR OUTER TANK DTLS SEE COMPUTER FILE NO. 2106300, TITLE "5400 GALLON OUTER SAFE-TANK/6300 GALLON OPEN TOP TANK." FOR ASSEMBLY DTLS SEE COMPUTER FILE NO. 2005400A, TITLE "5400 GALLON SAFE-TANK ASSEMBLY."

CALCULATED CAPACITIES/ VOLUME IN U.S. GALLONS		
DESIGN CAP	DOME VOL	TOTAL VOL
5447	659	6106

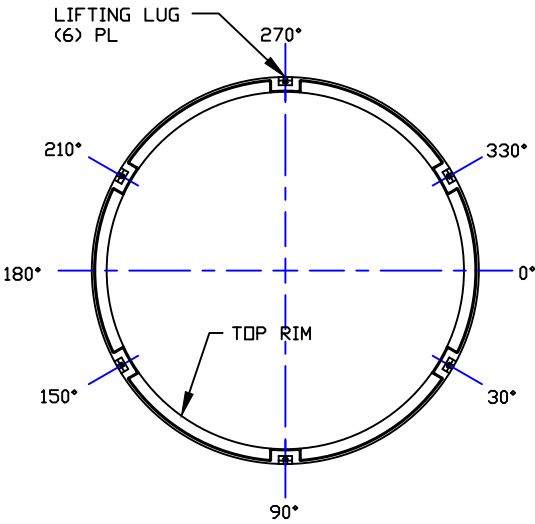
CONFIDENTIAL PROPERTY OF
 POLY PROCESSING COMPANY
 NOT FOR REPRINT OR USE
 WITHOUT PERMISSION

DWG TITLE 5400 GALLON INNER SAFE-TANK				
SCALE: 1/4"=1'-0"		Central Region P.O. Box 4150 (71812) 2201 Old Sterlington Rd. Monroe, LA 71203 C380 343-7565 FAX C380 343-8795	DR: B. HARPER	
DATE: 09/13/19		CK:		
SHEET 1 OF 1		COMPUTER FILE SAFE-I-05400	REV C	

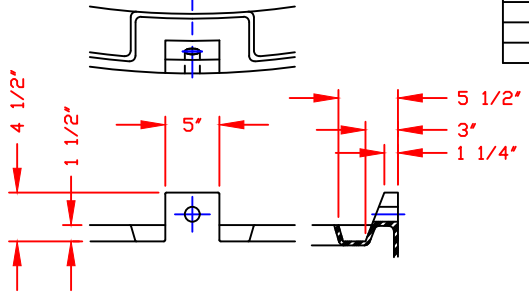
REV "C" ADDED RUNWAYS ELEV VIEW BY:JB 3/30/10 CK:SN
 REV "B" ADDED (3) RUNWAYS BY:JB 8/18/09 CK:WM
 REV "A" ADDED LADDER ATTACHMENT LUGS BY:JB 9/23/04 CK:WM

NON-CONTROLLED COPY INFORMATION SUBJECT TO CHANGE WITHOUT NOTICE COPY WILL NOT BE UPDATED	COPY ISSUED BY..... COPY ISSUED ON.....
---	--

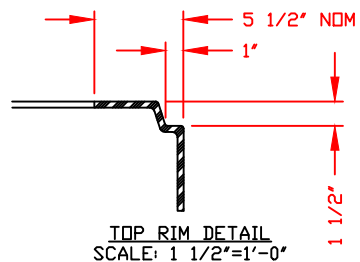
NOZZLE SCHEDULE & ACCESSORIES						
SERVICE	MK	STOCK NO.	SIZE	FITTING	DEG	ELEV



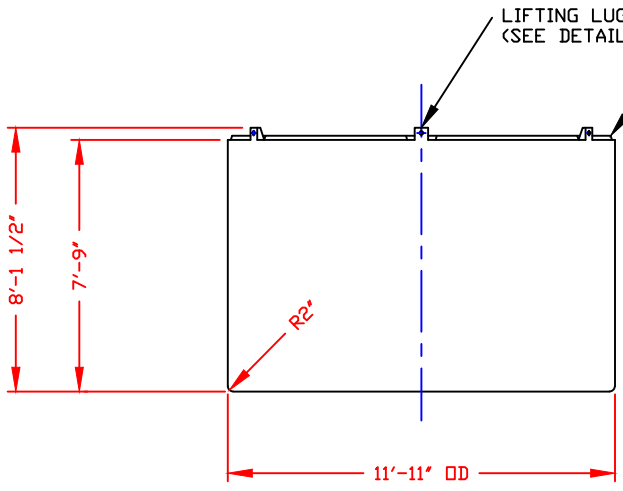
NOTE: MOLDED IN 3/8" HIGH LETTERING UNDER LIFTING LUGS TO READ:
LIFT EMPTY ONLY
USE ALL LIFTING LUGS



LIFTING LUG DETAIL
(6) PLACES
SCALE: 1"=1'-0"



TOP RIM DETAIL
SCALE: 1 1/2"=1'-0"



NOTE: MUST USE FLEXIBLE CONNECTIONS ALL LOWER SIDEWALL FITTINGS

NOTES

1. THIS IS A COMPUTER GENERATED DWG. DO NOT REVISE BY HAND.
2. DIMENSIONS WILL VARY ±3% DUE TO VARIATIONS IN MULTIPLE MOLDS & CONDITIONS PREVALENT DURING MANUFACTURE & USAGE.
3. NO GALLONAGE MARKERS THIS TANK.
4. FOR INNER TANK DTLS SEE COMPUTER FILE NO. 2005400, TITLE "5400 GALLON INNER SAFE-TANK." FOR ASSEMBLY DTLS SEE COMPUTER FILE NO. 2005400A, TITLE "5400 GALLON SAFE-TANK ASSEMBLY."

CALCULATED CAPACITY
VOLUME IN U.S. GALLONS
DESIGN CAPACITY
6346

CONFIDENTIAL PROPERTY OF
POLY PROCESSING COMPANY
NOT FOR REPRINT OR USE
WITHOUT PERMISSION

DWG TITLE		5400 GALLON OUTER SAFE-TANK/ 6300 GALLON OPEN TOP TANK	
SCALE: 1/4"=1'-0"		Central Region P.O. Box 4029 2500 Old Sterlington Rd. Monroe, LA 71203 CITY 343-7253 FAX CITY 343-8795	DR: B. HARPER
DATE: 09/13/19		CK:	
SHEET		COMPUTER FILE	REV
1 OF 1		SAFE-0-05400	A

REV 'A' ADDED FITTING NOTE BY:MBW 4/16/03 CK:JB