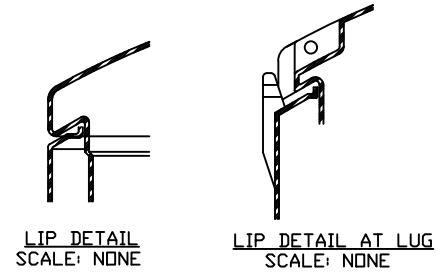
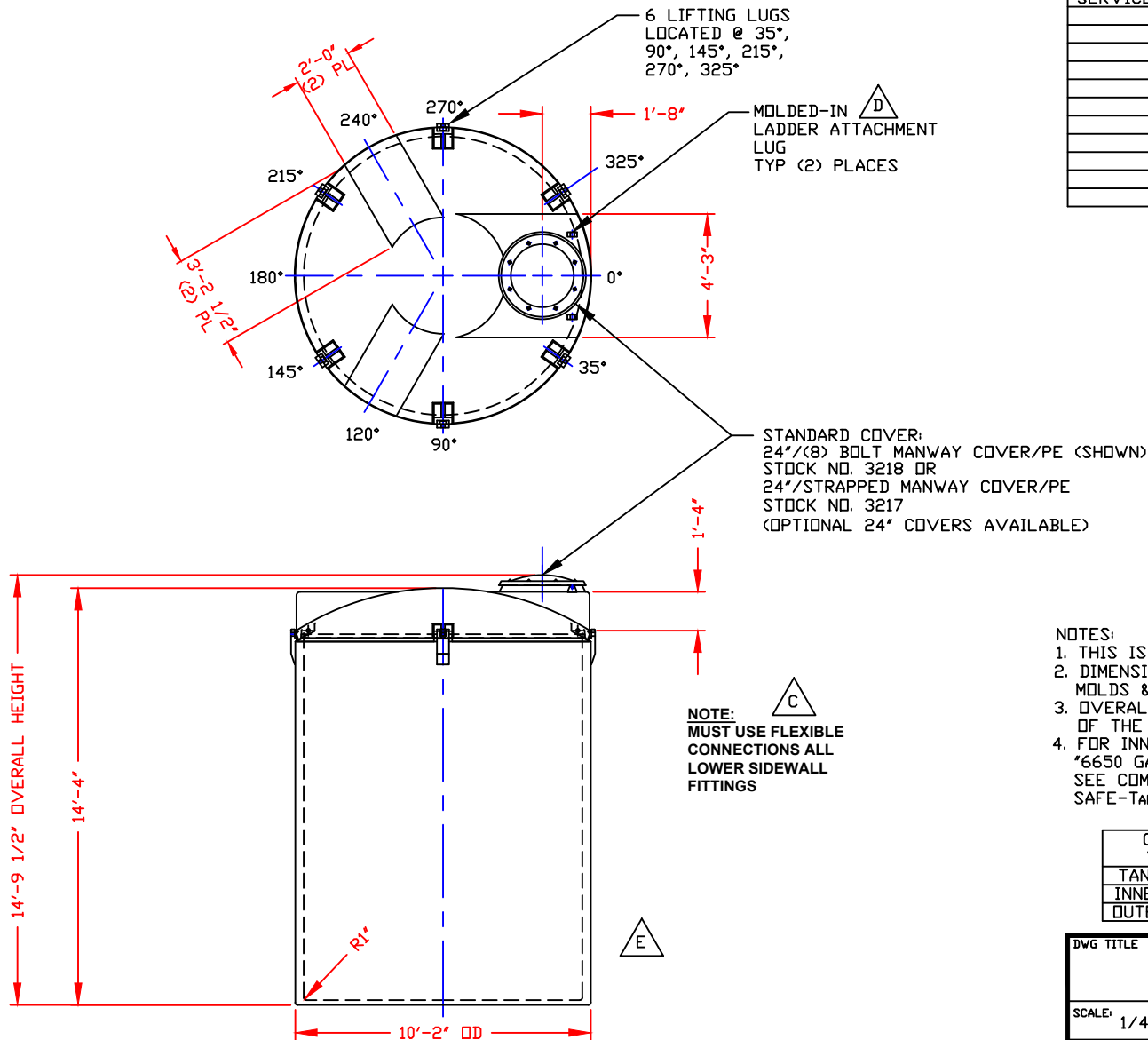


NON-CONTROLLED COPY  
 INFORMATION SUBJECT TO CHANGE WITHOUT NOTICE  
 VERIFY REV LEVEL OF PAPER COPY WITH REV LEVEL ON PPC WEB SITE

NOZZLE SCHEDULE & ACCESSORIES						
SERVICE	MK	STOCK NO.	SIZE	FITTING	DEG	ELEV



- NOTES:
- THIS IS A COMPUTER GENERATED DWG. DO NOT REVISE BY HAND.
  - DIMENSIONS WILL VARY  $\pm 3\%$  DUE TO VARIATIONS IN MULTIPLE MOLDS & CONDITIONS PREVALENT DURING MANUFACTURE & USAGE.
  - OVERALL HEIGHT DIMENSION WILL VARY WITH THE PENETRATION OF THE INSIDE TANK INTO THE OUTSIDE TANK.
  - FOR INNER TANK DTLS SEE COMPUTER FILE NO. 2006650, TITLE '6650 GALLON INNER SAFE-TANK' FOR OUTER TANK DTLS SEE COMPUTER FILE NO. 2107450, TITLE '6650 GALLON OUTER SAFE-TANK/7450 GALLON OPEN TOP TANK'.

TANK	DESIGN CAP	DOME VOL	TOTAL VOL
INNER	6667	420	7087
OUTER	7455	N/A	7455

CONFIDENTIAL PROPERTY OF POLY PROCESSING COMPANY NOT FOR REPRINT OR USE WITHOUT PERMISSION

DWG TITLE: 6650 GALLON SAFE-TANK ASSEMBLY

SCALE: 1/4"=1'-0"

DATE: 09/13/19

PolyProcessing COMPANY LLC

Central Region  
 P.O. Box 4158 71213  
 2501 Old Shaw-Brington Rd.  
 Monroe, LA 71203  
 CDR# 343-7945  
 FAX: 504-343-8795

DR: B. HARPER  
 CK:

SHEET 1 OF 1

COMPUTER FILE: SAFE-A-06650

REV E

REV 'E' MOLD MOD. DELETED CHOCKS BY:MBW 11/1/07 CK:WM

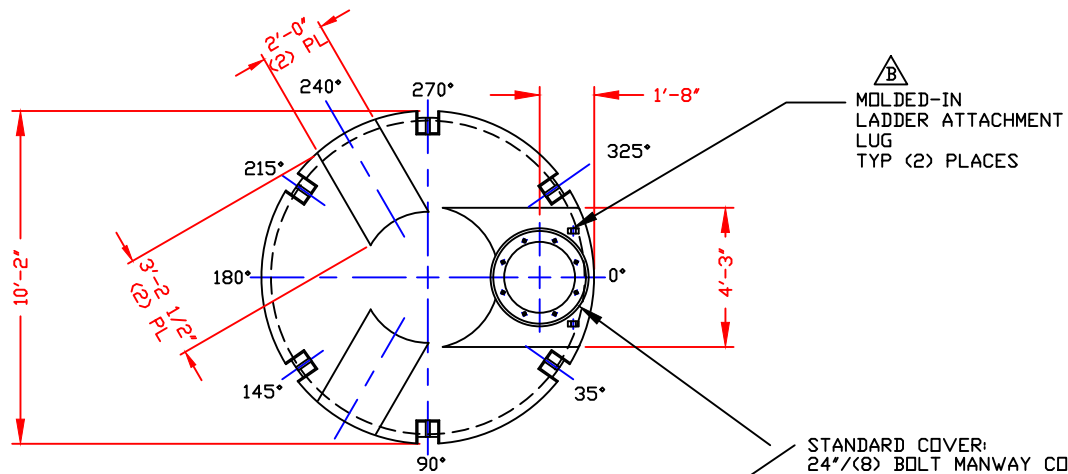
REV 'D' ADDED LADDER ATTACHMENT LUGS BY:JB 10/1/04 CK:WM

REV 'C' ADDED FITTING NOTE BY:MBW 4/16/03 CK:JB

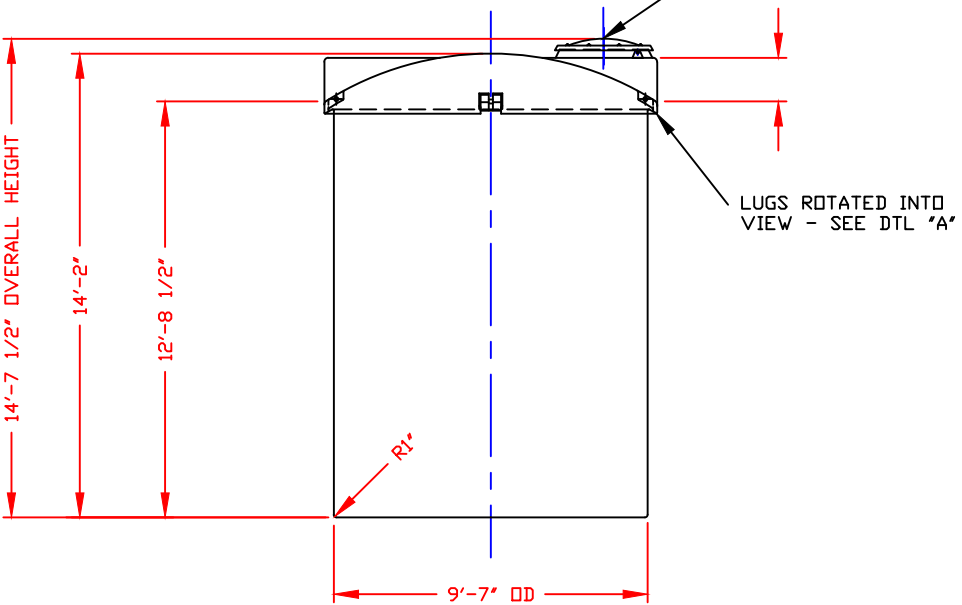
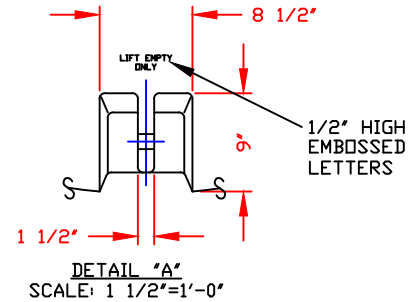
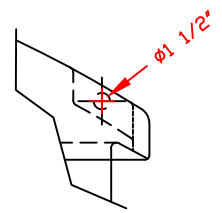
REV 'B' MOLD MODIFICATION ADDING LIFTING LUGS & RUNWAYS BY:MBW 12/6/02 CK:JB

REV 'A' ADDED DEGREES BY:MBW 2/28/01 CK:JB

NON-CONTROLLED COPY  
 INFORMATION SUBJECT TO CHANGE WITHOUT NOTICE  
 VERIFY REV LEVEL OF PAPER COPY WITH REV LEVEL ON PPC WEB SITE



STANDARD COVER:  
 24"/(8) BOLT MANWAY COVER/PE (SHOWN)  
 STOCK NO. 3218 OR  
 24"/STRAPPED MANWAY COVER/PE  
 STOCK NO. 3217  
 (OPTIONAL 24" COVERS AVAILABLE)



- NOTES:  
 1. THIS IS A COMPUTER GENERATED DWG. DO NOT REVISE BY HAND.  
 2. DIMENSIONS WILL VARY ±3% DUE TO VARIATIONS IN MULTIPLE MOLDS & CONDITIONS PREVALENT DURING MANUFACTURE & USAGE.  
 3. FOR OUTER TANK DTLS SEE COMPUTER FILE NO. 2107450, TITLE "6650 GALLON OUTER SAFE-TANK/7450 GALLON OPEN TOP TANK." FOR ASSEMBLY SEE COMPUTER FILE NO. 2006650A, TITLE "6650 GALLON SAFE-TANK ASSEMBLY."

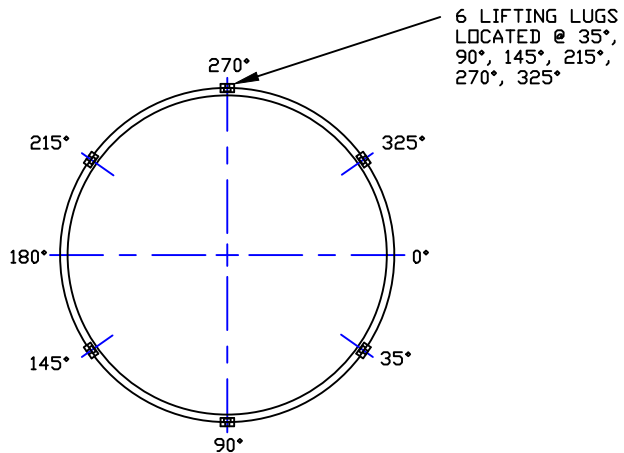
CALCULATED CAPACITIES/ VOLUME IN U.S. GALLONS		
DESIGN CAP	DOME VOL	TOTAL VOL
6667	419	7086

CONFIDENTIAL PROPERTY OF  
 POLY PROCESSING COMPANY  
 NOT FOR REPRINT OR USE  
 WITHOUT PERMISSION

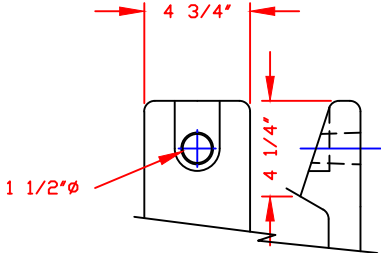
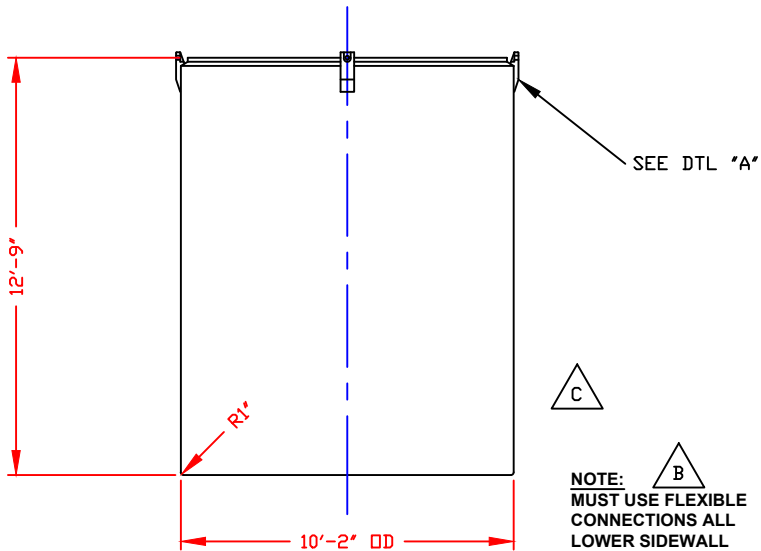
DWG TITLE			
6650 GALLON INNER SAFE-TANK			
SCALE: 1/4"-1'-0"		Central Region P.O. Box 4150 (71811) 8201 Old Starbuckton Rd. Norwood, LA 71055 CITY 343-7565 FAX 330-343-8795	DR: B. HARPER
DATE: 09/13/19		POLYPROCESSING COMPANY LLC	CK:
SHEET		COMPUTER FILE	REV
1 OF 1		SAFE-I-06650	C

REV 'C' ADDED LIFT LUG DETAIL SIDE VIEW BY:BT 11/14/2016 CK:WM  
 REV 'B' ADDED LADDER ATTACHMENT LUGS BY:JB 10/1/04 CK:WM  
 REV 'A' MOLD MODIFICATION ADDING LIFTING LUGS & RUNWAYS BY:MBW 12/6/02 CK:JB

NON-CONTROLLED COPY  
 INFORMATION SUBJECT TO CHANGE WITHOUT NOTICE  
 VERIFY REV LEVEL OF PAPER COPY WITH REV LEVEL ON PPC WEB SITE



NOZZLE SCHEDULE & ACCESSORIES					
SERVICE	MK	STOCK NO.	SIZE	FITTING	DEG ELEV



LUG DETAIL "A"  
 SCALE: 1 1/2" = 1'-0"

- NOTES:
1. THIS IS A COMPUTER GENERATED DWG. DO NOT REVISE BY HAND.
  2. DIMENSIONS WILL VARY ±3% DUE TO VARIATIONS IN MULTIPLE MOLDS & CONDITIONS PREVALENT DURING MANUFACTURE & USAGE.
  3. GALLONAGE MARKERS ON SIDE WALL IN 200 GAL INCREMENTS UP TO 5600 GALLON.
  4. FOR INNER TANK DTLS SEE COMPUTER FILE NO. 2006650, TITLE "6650 GALLON INNER SAFE-TANK." FOR ASSEMBLY DTLS SEE COMPUTER FILE NO. 2006650A, TITLE "6650 GALLON SAFE-TANK ASSEMBLY."

CALCULATED CAPACITY	VOLUME IN U.S. GALLONS
DESIGN CAPACITY	7455

CONFIDENTIAL PROPERTY OF  
 POLY PROCESSING COMPANY  
 NOT FOR REPRINT OR USE  
 WITHOUT PERMISSION

**NOTE:** **MUST USE FLEXIBLE CONNECTIONS ALL LOWER SIDEWALL FITTINGS**

REV "C" MOLD MOD. DELETED CHOCKS BY:MBW 11/1/07 CK:WM
REV "B" ADDED FITTING NOTE BY:MBW 4/16/03 CK:JB
REV "A" MOLD MODIFICATION ADDING LIFTING LUG BY:MBW 12/6/02 CK:JB

DWG TITLE		6650 GALLON OUTER SAFE-TANK/ 7450 GALLON OPEN TOP TANK	
SCALE: 1/4"=1'-0"		Central Region P.O. Box 4159 71212 Baton Rouge 70803 Houma, LA 70303 CUB# 343-7545 FAX: 504-343-8795	DR: B. HARPER
DATE: 09/13/19		CK:	
SHEET		COMPUTER FILE	REV
1 OF 1		SAFE-D-06650	C