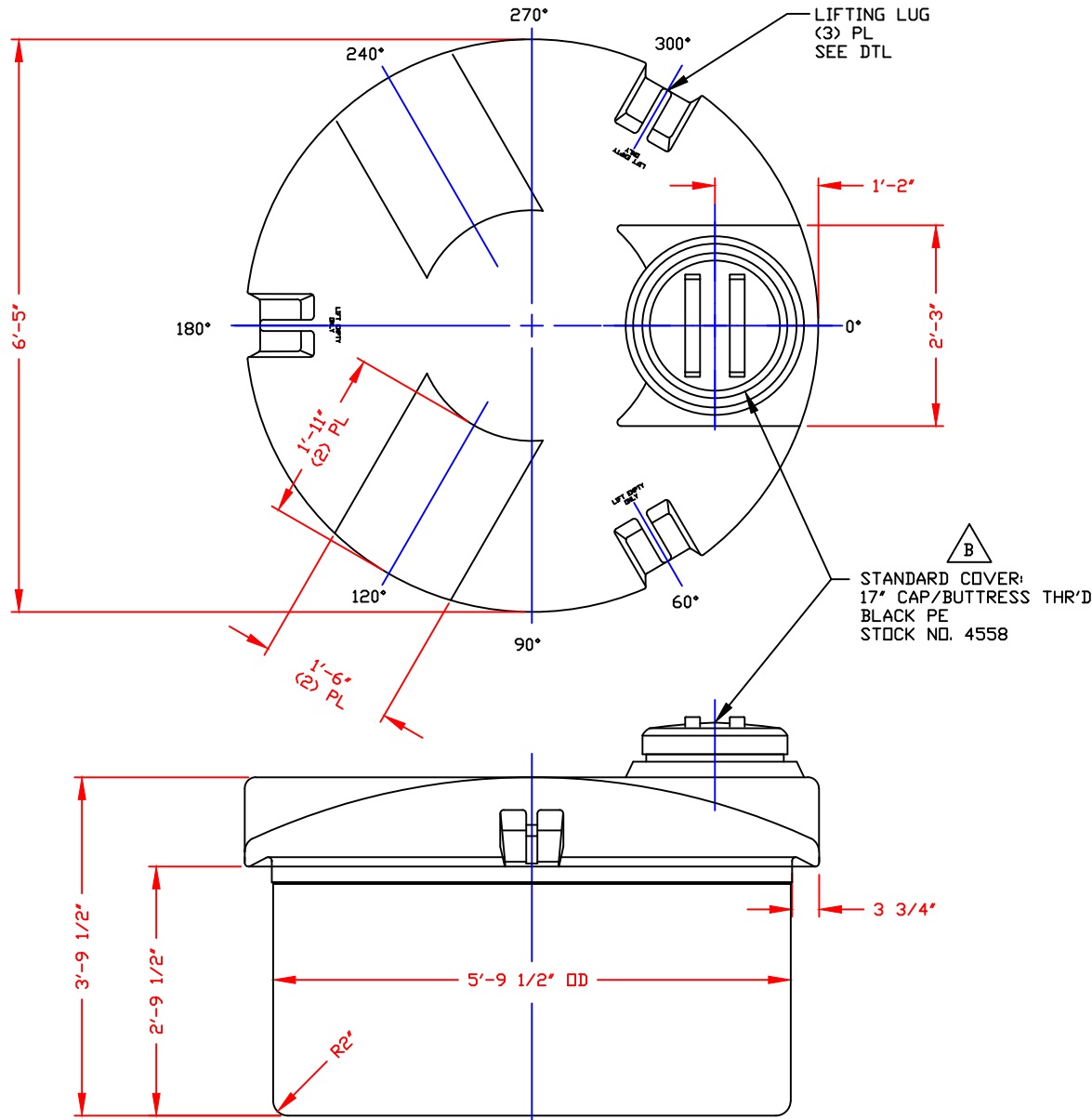
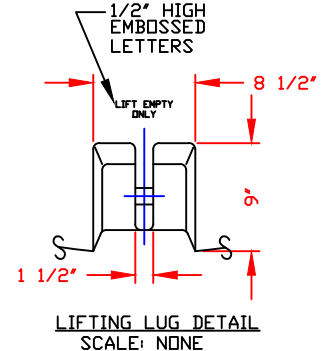


NON-CONTROLLED COPY
 INFORMATION SUBJECT TO CHANGE WITHOUT NOTICE
 VERIFY REV LEVEL OF PAPER COPY WITH REV LEVEL ON PPC WEB SITE



NOZZLE SCHEDULE & ACCESSORIES					
SERVICE	MK	STOCK NO.	SIZE	FITTING	DEG ELEV



STANDARD COVER:
 17" CAP/BUTTRESS THR'D
 BLACK PE
 STOCK NO. 4558

- NOTES:
 1. THIS IS A COMPUTER GENERATED DWG. DO NOT REVISE BY HAND.
 2. DIMENSIONS WILL VARY ±3% DUE TO VARIATIONS IN MULTIPLE MOLDS & CONDITIONS PREVALENT DURING MANUFACTURE & USAGE.
 3. FOR OUTER TANK DTLS SEE COMPUTER FILE NO. 2100655, TITLE "540 GALLON OUTER SAFE-TANK/655 GALLON OPEN TOP TANK," FOR ASSEMBLY SEE COMPUTER FILE NO. 2000540A, TITLE "540 GALLON SAFE-TANK ASSEMBLY."

CALCULATED CAPACITIES/ VOLUME IN U.S. GALLONS		
DESIGN CAP	DOME VOL	TOTAL VOL
542	105	647

CONFIDENTIAL PROPERTY OF
 POLY PROCESSING COMPANY
 NOT FOR REPRINT OR USE
 WITHOUT PERMISSION

DWG TITLE: 540 GALLON INNER SAFE-TANK

SCALE: 3/4"=1'-0"

DATE: 09/11/19

DR: B. HARPER
 CK: D. RECTOR

Central Region
 P.O. Box 4180 (7180)
 2261 Dal Stoverington Rd.
 Monroe, LA 71203
 (504) 349-7656
 FAX (504) 349-4795

POLYPROCESSING SOLUTIONS, SIMPLIFIED

SHEET 1 OF 1
 COMPUTER FILE SAFE-I-00540
 REV B

REV "B" REVISED COVER BY: JB 7/27/09 CK: WM
 REV "A" REVISED FOR MOLD MODIFICATIONS BY: MBW 1/28/03 CK: BT