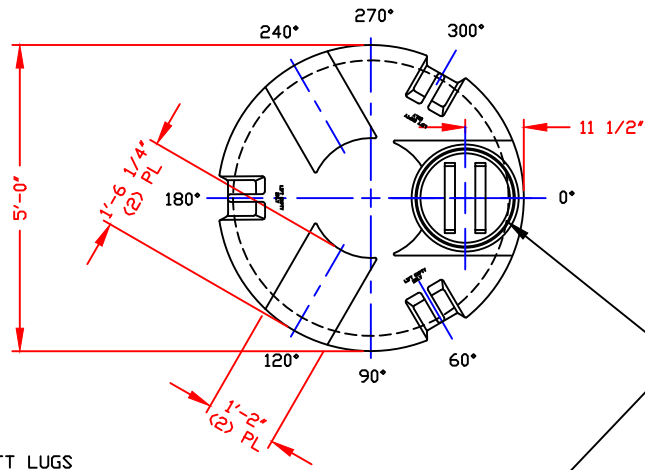
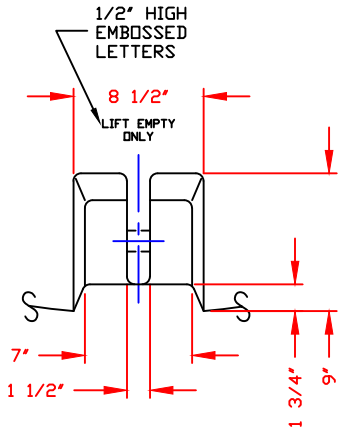


NON-CONTROLLED COPY
 INFORMATION SUBJECT TO CHANGE WITHOUT NOTICE
 VERIFY REV LEVEL OF PAPER COPY WITH REV LEVEL ON PPC WEB SITE

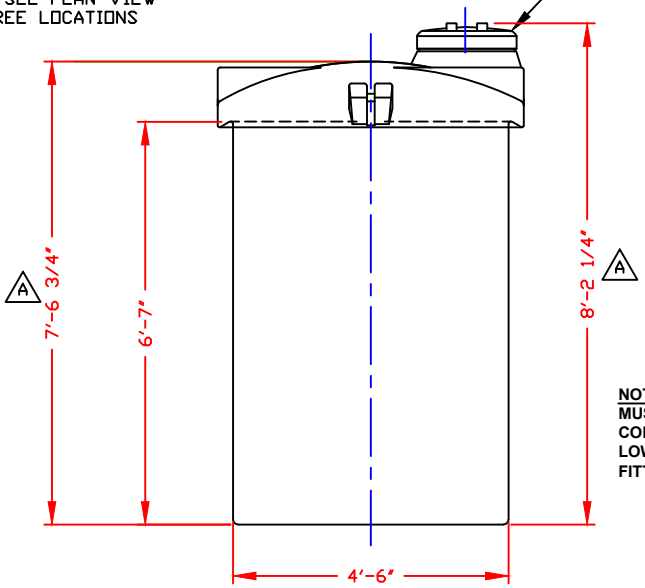


STANDARD COVER:
 17" CAP/BUTTRESS THR'D
 BLACK PE
 STOCK NO. 4558

NOTE: LIFT LUGS
 ROTATED INTO VIEW FOR
 CLARITY. SEE PLAN VIEW
 FOR DEGREE LOCATIONS



LIFTING LUG DETAIL
 SCALE: NONE



NOTE:
 MUST USE FLEXIBLE
 CONNECTIONS ALL
 LOWER SIDEWALL
 FITTINGS

NOTES:
 1. THIS IS A COMPUTER GENERATED DWG. DO NOT REVISE BY HAND.
 2. DIMENSIONS WILL VARY ±3% DUE TO VARIATIONS IN MULTIPLE
 MOLDS & CONDITIONS PREVALENT DURING MANUFACTURE & USAGE.

CALCULATED CAPACITIES/ VOLUME IN U.S. GALLONS		
TANK	DESIGN CAP	DOME VOL/TOTAL VOL
INNER	750	56 806

CONFIDENTIAL PROPERTY OF
 POLY PROCESSING COMPANY
 NOT FOR REPRINT OR USE
 WITHOUT PERMISSION

DWG TITLE: 750 GALLON SAFE-TANK INNER			
SCALE: 1/2"=1'-0"		DR: B. HARPER	
DATE: 09/11/19		Central Region P.O. Box 4150 2801 Old Stearning Rd. Monroe, LA 70209 Cell: 345-7245 Fax: 504-343-8795	CK:
	SHEET 1 OF 1	COMPUTER FILE SAFE-I-00750	REV A

REV "A" REVISED DIMENSIONS BY:JB 5/11/16