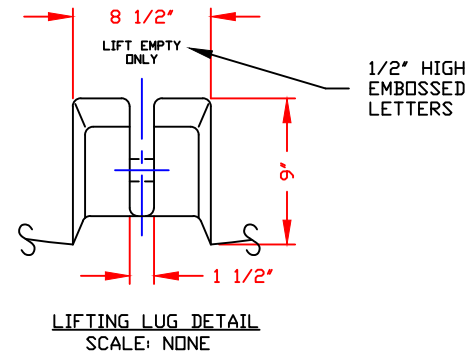
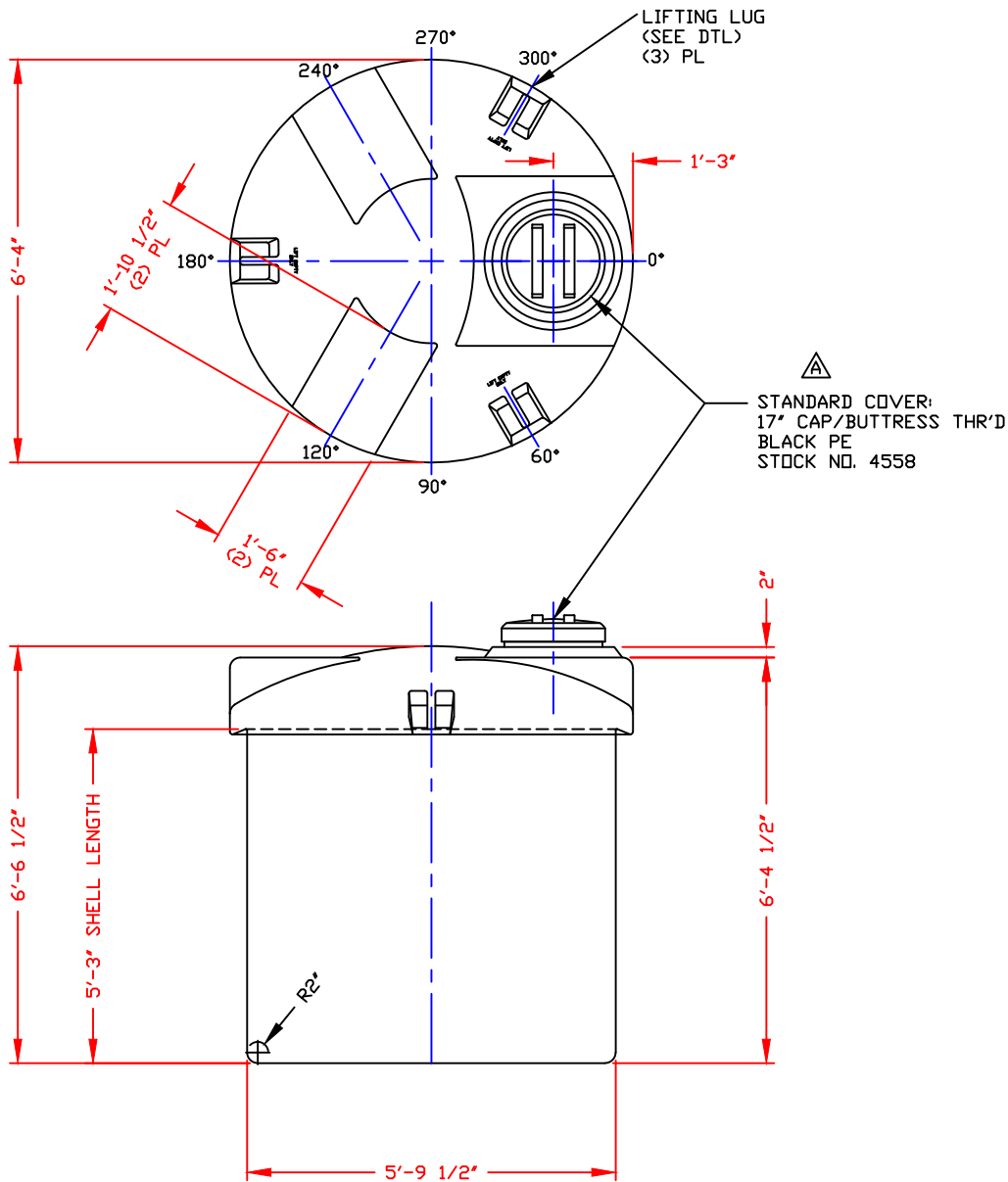



NON-CONTROLLED COPY
 INFORMATION SUBJECT TO CHANGE WITHOUT NOTICE
 VERIFY REV LEVEL OF PAPER COPY WITH REV LEVEL ON PPC WEB SITE



- NOTES:**
1. THIS IS A COMPUTER GENERATED DWG. DO NOT REVISE BY HAND.
 2. DIMENSIONS WILL VARY ±3% DUE TO VARIATIONS IN MULTIPLE MOLDS & CONDITIONS PREVALENT DURING MANUFACTURE & USAGE.
 3. FOR OUTER TANK DTLS SEE COMPUTER FILE NO. 2101200, TITLE "1000 GALLON OUTER SAFE-TANK/1200 GALLON OPEN TOP TANK." FOR ASSEMBLY SEE COMPUTER FILE NO. 2001000A, TITLE "1000 GALLON SAFE-TANK ASSEMBLY."

CALCULATED CAPACITIES/ VOLUME IN U.S. GALLONS		
DESIGN CAP	DOME VOL	TOTAL VOL
1016	187	1203

CONFIDENTIAL PROPERTY OF
 POLY PROCESSING COMPANY
 NOT FOR REPRINT OR USE
 WITHOUT PERMISSION

DWG TITLE				
1000 GALLON INNER SAFE-TANK				
SCALE:	1/2"=1'-0"	 POLYPROCESSING SOLUTIONS. SIMPLIFIED.	Central Region P.O. Box 439 07810 25th Old Springington Rd. Norcross, GA 30092 (770) 343-7563 FAX (770) 343-8795	DR: B. HARPER
DATE:	09/12/19		CK:	
		SHEET	COMPUTER FILE	REV
		1 OF 1	SAFE-I-01000	A

REV "A" REVISED COVER BY:JB 7/28/09 CK:WM