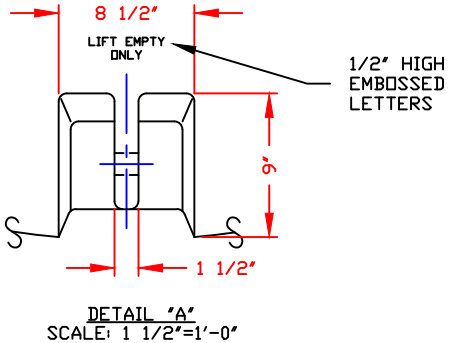
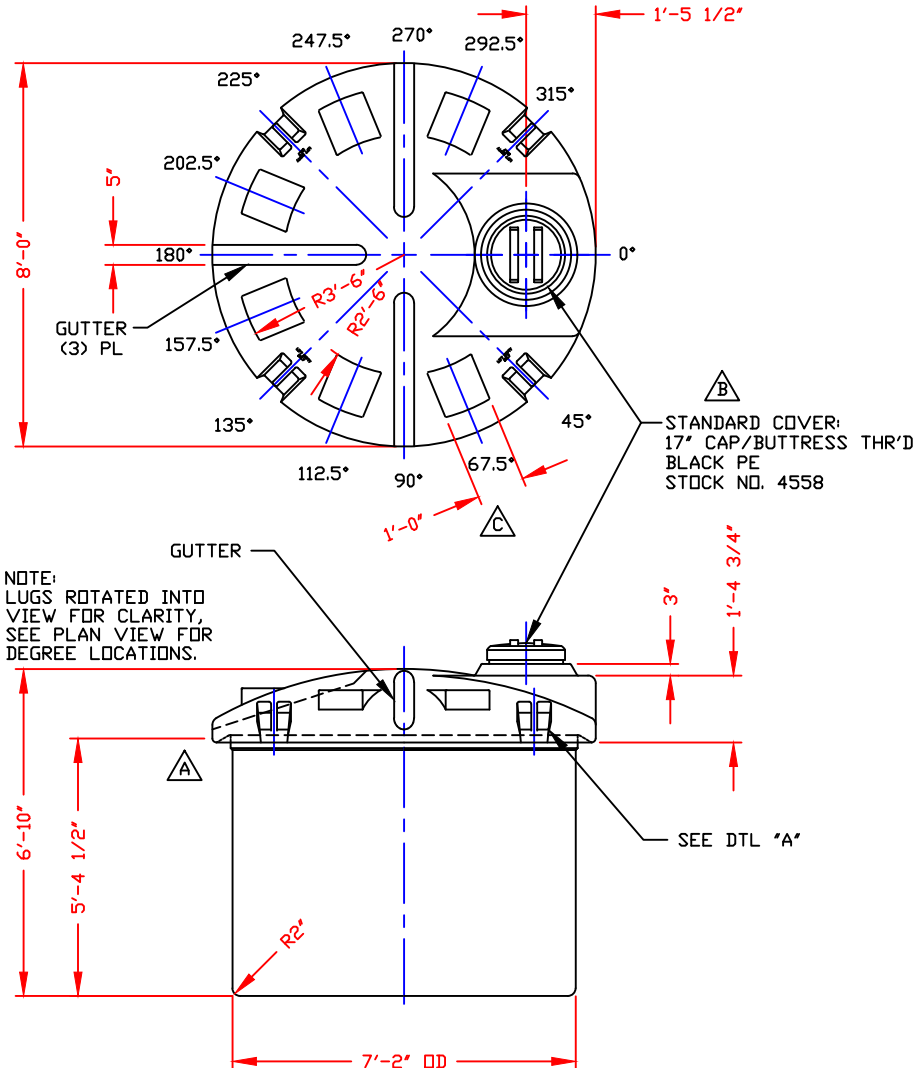


NON-CONTROLLED COPY
 INFORMATION SUBJECT TO CHANGE WITHOUT NOTICE
 VERIFY REV LEVEL OF PAPER COPY WITH REV LEVEL ON PPC WEB SITE

NOTE:
 ALL HIDDEN LINES ARE NOT SHOWN.
 SOME ARE SHOWN FOR CLARITY.

NOZZLE SCHEDULE & ACCESSORIES						
SERVICE	MK	STOCK NO.	SIZE	FITTING	DEG	ELEV



NOTES:
 1. THIS IS A COMPUTER GENERATED DWG. DO NOT REVISE BY HAND.
 2. DIMENSIONS WILL VARY ±3% DUE TO VARIATIONS IN MULTIPLE MOLDS & CONDITIONS PREVALENT DURING MANUFACTURE & USAGE.
 3. FOR OUTER TANK DTLS SEE COMPUTER FILE NO. 2101950, TITLE '1550 GALLON OUTER SAFE-TANK/1950 GALLON OPEN TOP TANK.' FOR ASSEMBLY DTLS SEE COMPUTER FILE NO. 2001550A, TITLE '1550 GALLON SAFE-TANK ASSEMBLY.'

CALCULATED CAPACITIES/ VOLUME IN U.S. GALLONS		
DESIGN CAP	DOME VOL	TOTAL VOL
1586	204	1790

CONFIDENTIAL PROPERTY OF
 POLY PROCESSING COMPANY
 NOT FOR REPRINT OR USE
 WITHOUT PERMISSION

DWG TITLE			
1550 GALLON INNER SAFE-TANK			
SCALE:	3/8"=1'-0"		DR: B. HARPER
DATE:	09/13/19		CK:
SHEET		COMPUTER FILE	REV
1 OF 1		SAFE-I-01550	C

REV "C" ADDED FTG FLATS BY:JB 4/8/13 CK:WM
 REV "B" REVISED COVER BY:JB 7/27/09 CK:WM
 REV "A" MODIFICATION TO MOLD BY:MBW 3/21/02 CK:BT