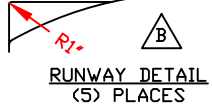
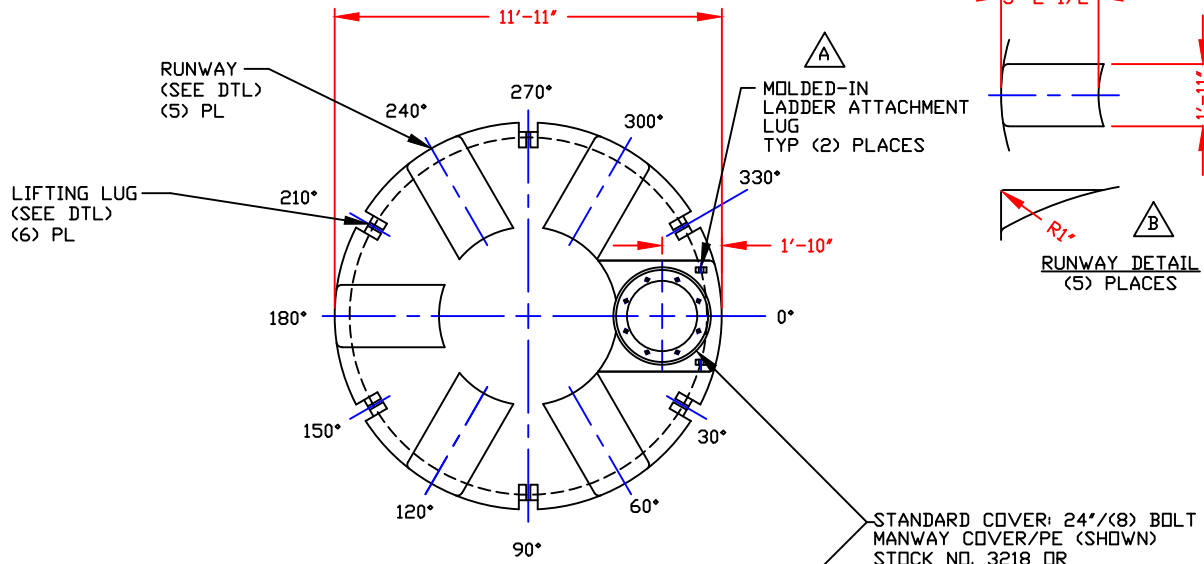
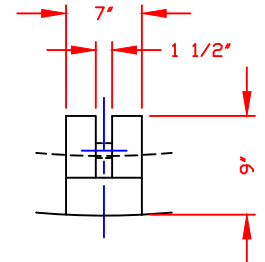


NON-CONTROLLED COPY
 INFORMATION SUBJECT TO CHANGE WITHOUT NOTICE
 VERIFY REV LEVEL OF PAPER COPY WITH REV LEVEL ON PPC WEB SITE

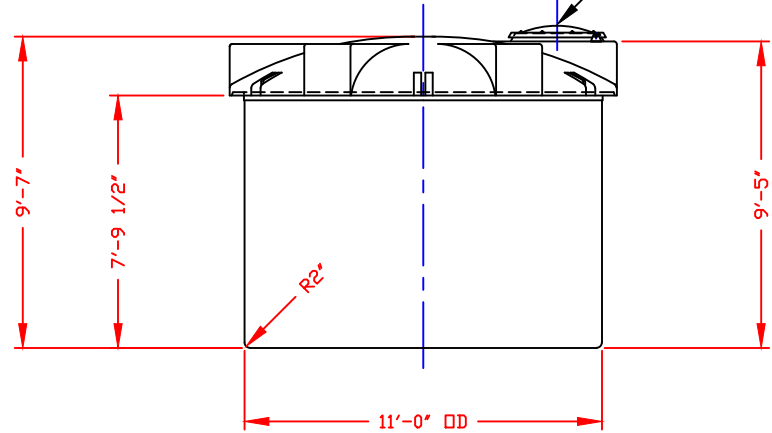
NOZZLE SCHEDULE & ACCESSORIES					
SERVICE	MK	STOCK NO.	SIZE	FITTING	DEG ELEV



NOTE: MOLDED IN 3/8" HIGH LETTERING ABOVE LIFTING LUGS TO READ:
 *LIFT EMPTY ONLY
 USE ALL LIFTING LUGS*




STANDARD COVER: 24" (8) BOLT
 MANWAY COVER/PE (SHOWN)
 STOCK NO. 3218 OR
 19" STRAPPED MANWAY COVER/PE
 STOCK NO. 3217
 (OPTIONAL 24" COVERS AVAILABLE)



NOTES
 1. THIS IS A COMPUTER GENERATED DWG. DO NOT REVISE BY HAND.
 2. DIMENSIONS WILL VARY ±3% DUE TO VARIATIONS IN MULTIPLE MOLDS & CONDITIONS PREVALENT DURING MANUFACTURE & USAGE.
 3. FOR OUTER TANK DTLS SEE COMPUTER FILE NO. 2106300, TITLE "5400 GALLON OUTER SAFE-TANK/6300 GALLON OPEN TOP TANK." FOR ASSEMBLY DTLS SEE COMPUTER FILE NO. 2005400A, TITLE "5400 GALLON SAFE-TANK ASSEMBLY."

CALCULATED CAPACITIES/ VOLUME IN U.S. GALLONS		
DESIGN CAP	DOME VOL	TOTAL VOL
5447	659	6106

CONFIDENTIAL PROPERTY OF
 POLY PROCESSING COMPANY
 NOT FOR REPRINT OR USE
 WITHOUT PERMISSION

DWG TITLE			
5400 GALLON INNER SAFE-TANK			
SCALE:	1/4"=1'-0"	 Central Region P.O. Box 4150 (71811) 2201 Old Sterlington Rd. Monroe, LA 71203 (504) 343-7565 FAX (504) 343-8795	DR:
DATE:	09/13/19		CK:
SHEET	COMPUTER FILE	REV	
1 OF 1	SAFE-I-05400	C	

REV "C" ADDED RUNWAYS ELEV VIEW BY:JB 3/30/10 CK:SN
 REV "B" ADDED (3) RUNWAYS BY:JB 8/18/09 CK:WM
 REV "A" ADDED LADDER ATTACHMENT LUGS BY:JB 9/23/04 CK:WM