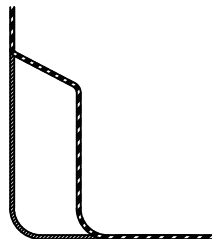
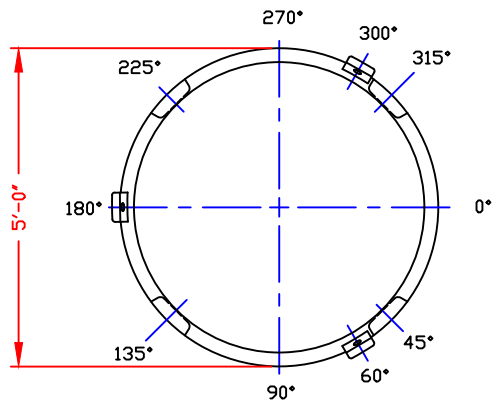
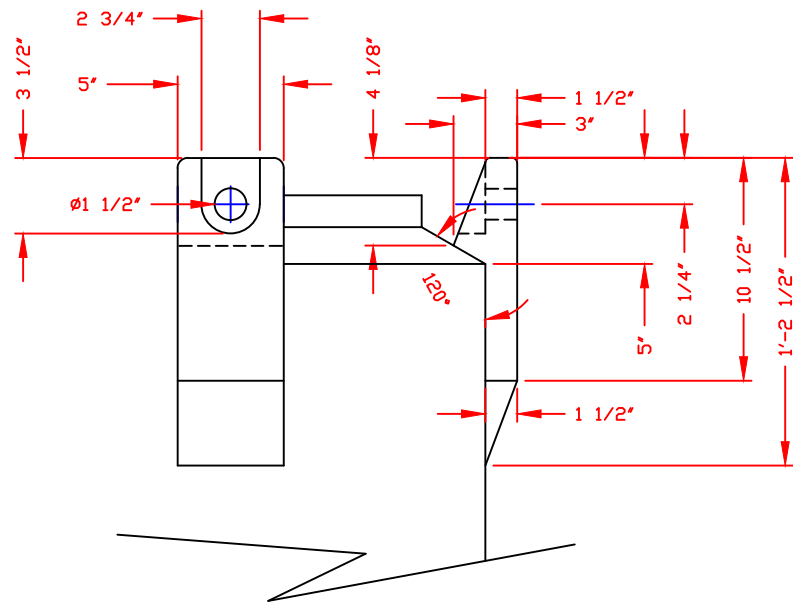


NON-CONTROLLED COPY
 INFORMATION SUBJECT TO CHANGE WITHOUT NOTICE
 VERIFY REV LEVEL OF PAPER COPY WITH REV LEVEL ON PPC WEB SITE

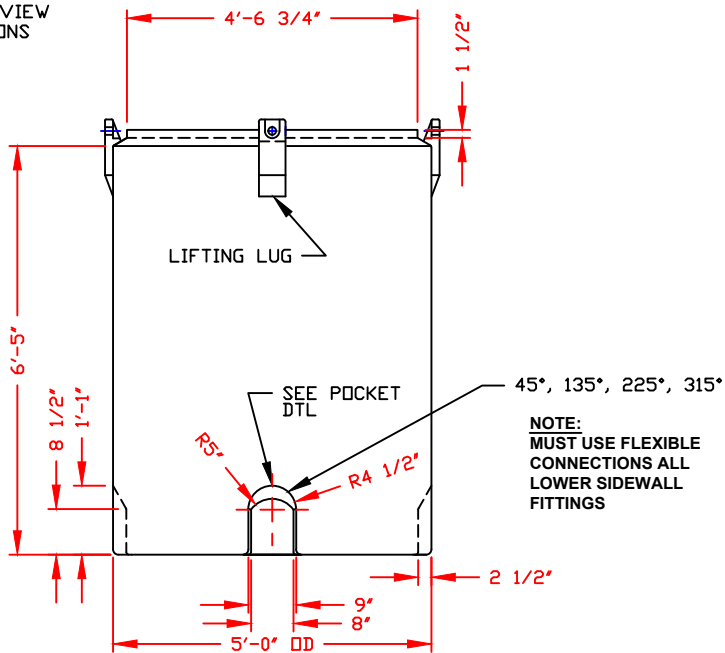


POCKET DETAIL
SCALE: NONE



LUG DETAIL
SCALE: NONE

NOTE: LUGS & POCKETS
 ROTATED INTO VIEW FOR
 CLARITY. SEE PLAN VIEW
 FOR DEGREE LOCATIONS




NOTE:
 MUST USE FLEXIBLE
 CONNECTIONS ALL
 LOWER SIDEWALL
 FITTINGS

- NOTES:
 1. THIS IS A COMPUTER GENERATED DWG. DO NOT REVISE BY HAND.
 2. DIMENSIONS WILL VARY ±3% DUE TO VARIATIONS IN MULTIPLE
 MOLDS & CONDITIONS PREVALENT DURING MANUFACTURE & USAGE.

CALCULATED CAPACITIES/ VOLUME IN U.S. GALLONS			
TANK	DESIGN CAP	DOME VOL	TOTAL VOL
OUTER	944	N/A	944

CONFIDENTIAL PROPERTY OF
 POLY PROCESSING COMPANY
 NOT FOR REPRINT OR USE
 WITHOUT PERMISSION

DWG TITLE		750 GALLON OUTER SAFE-TANK/ 940 GALLON OPEN TOP TANK		
SCALE:	1/2"=1'-0"	 Central Region P.O. Box 4150 (71813) 2591 Dal Westington Rd. Monroe, LA 71283 CEN 342-7252 FAX CEN 343-8795	DR:	B. HARPER
DATE:	09/11/19		CK:	
SHEET		COMPUTER FILE	REV	
1 OF 1		SAFE-0-00750	-	